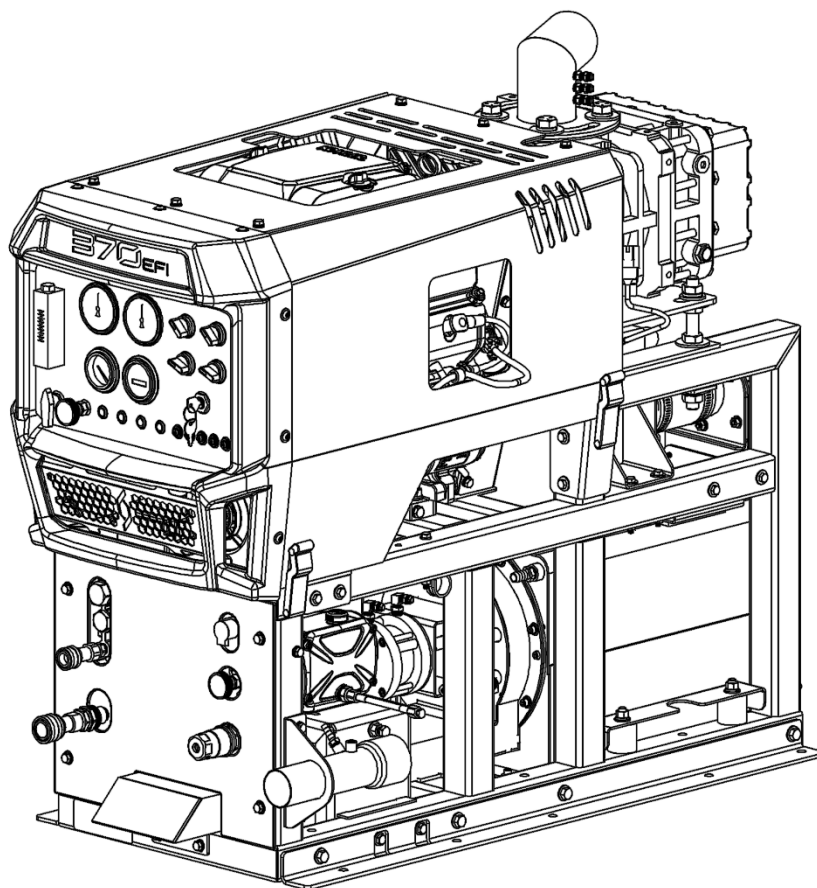


# LEGEND BRANDS

# 370 EFI

With KOHLER EFI ENGINE

## Parts Listing



Part Listing, P/N 128417  
Revision A, October 2024  
From Serial Number 4601



## HOW TO USE THIS MANUAL

This Parts Listing manual is an illustrated catalog of parts relating to the product listed on the title page. The illustrations within are exploded views of assemblies. Each item contains a balloon with a number that corresponds to a table that details the part number and description of each item. This table is called a Bill of Materials, or BOM Table for short.

Some items are listed outside the BOM Table due to being service-only OEM parts or other circumstances.

**NOTE:** If your unit has received an option or service kit, please refer to the instructions provided with the kit for alternate part numbers.

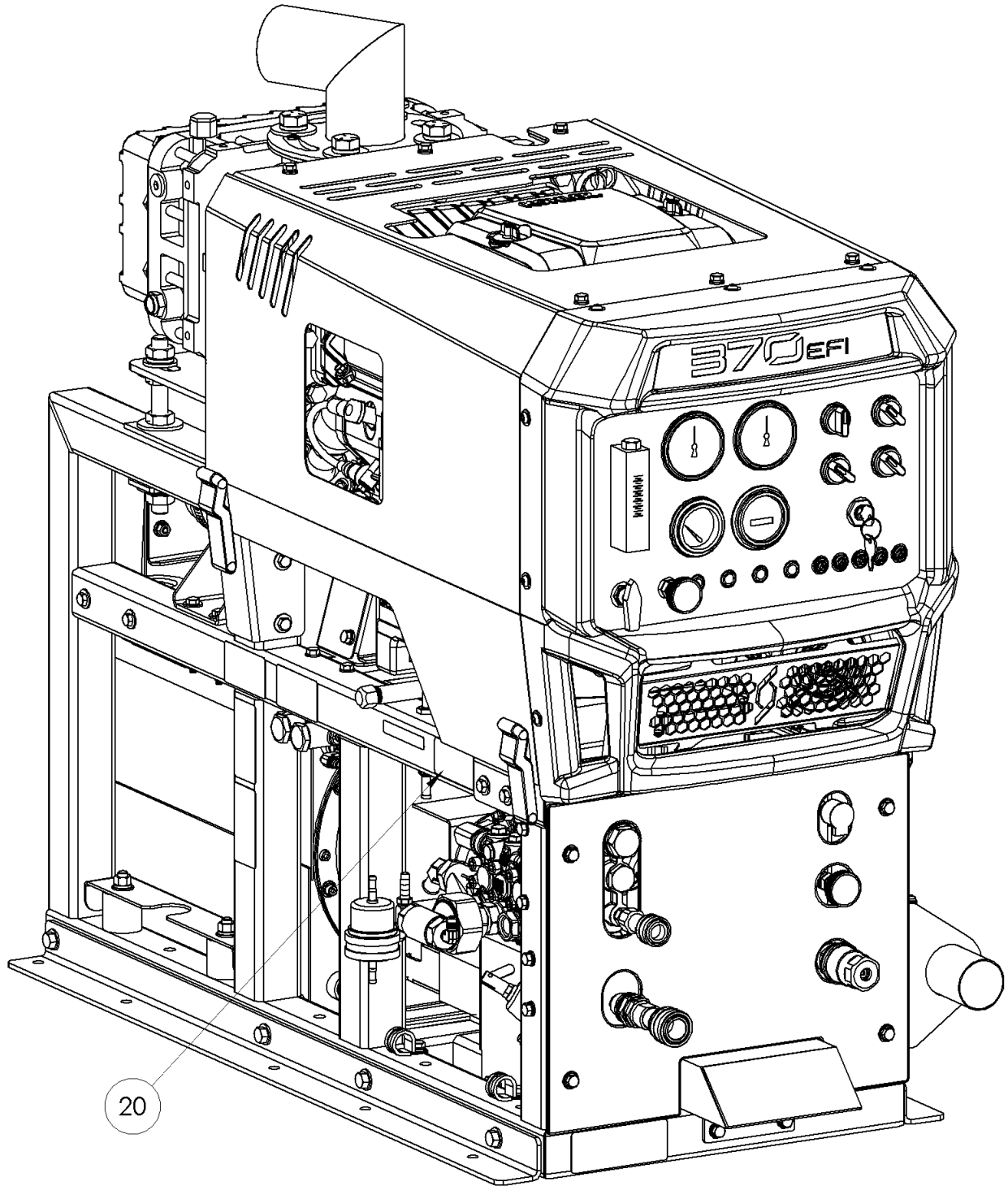
**PLEASE REFER TO THE OWNER'S MANUAL FOR YOUR SPECIFIC MODEL FOR INFORMATION ON ORDERING PARTS.**

Information in this document is subject to change without notice and does not represent a commitment on the part of Legend Brands.

# TABLE OF CONTENTS

CONSOLE ASSEMBLY .....	1
FRAME AND ENCLOSURES .....	6
INSTRUMENT PANEL ASSEMBLY .....	8
DIVERTER VALVE ASSEMBLY .....	11
ENGINE ASSEMBLY.....	12
VACUUM PUMP ASSEMBLY .....	14
PRESSURE PUMP ASSEMBLY .....	16
PRESSURE PUMP COMPONENTS.....	18
CHEMICAL PUMP ASSEMBLY.....	19
EXHAUST HEAT EXCHANGER ASSEMBLY .....	20
TEMPERATURE CONTROL MODULE ASSEMBLY.....	22
BELT GUARD ASSEMBLY .....	23
SOLUTION MANIFOLD ASSEMBLY .....	24
PRESSURE REGULATOR & BYPASS VALVE ASSEMBLY .....	26
WATER INLET BRACKET ASSEMBLY .....	27
VACUUM INLET BRACKET ASSEMBLY .....	28
90 GALLON WASTE TANK.....	29
120 GALLON WASTE TANK.....	31
WASTE TANK HOSES .....	33
WASTE TANK PORTS .....	34
FUEL PUMP AND HOUSING ASSEMBLY .....	35
KIT FUEL HOSE & FILTER.....	37
HOSE ROUTING DIAGRAM .....	38
HOSE ROUTING REFERENCE CHART .....	39
KIT CONSOLE DECALS.....	40
KIT WASTE PUMP OUT .....	42
WASTE PUMP OUT ASSEMBLY .....	43
WASTE OUTLET VALVE & BRACKET ASSEMBLY.....	44
WIRING DIAGRAM .....	45

SECTION FIVE: SPARE PARTS AND REFERENCE DOCUMENTS  
128133 CONSOLE ASSEMBLY







**SECTION FIVE: SPARE PARTS AND REFERENCE DOCUMENTS**  
**128133 CONSOLE ASSEMBLY BOM TABLE 1 OF 2**

1	57	126451	WMT, SILENCER 370
1	56	116777	WELDMENT, EXHAUST EXTENSION
1	55	114860F	WASHER, FLAT 7/16 ZP
24	54	127123	WASHER, FLAT 3/8 USS
8	53	124462	WASHER, FLAT 1/4 USS
17	52	116630F	WASHER, FLAT 1/4 SS
27	51	124468	WASHER, FLAT #12 SAE
2	50	123609	WASHER, FLAT #10 SAE ZP
3	49	127085	TIE, WIRE 6 IN BLACK
1	48	115977	THERMOFORM, BEZEL 370
2	47	112552F	SCREW, MACH 10-32 X 5/8 PPHZ
4	46	112801F	SCREW, MACH 5/16-18 X 1 SHCS BLACK OXIDE
6	45	127322	SCREW, MACH 3/8-16 X 3 HXHD
1	44	126260	SCREW, MACH 3/8-16 X 1/2 HXHD ZP
2	43	127235	SCREW, MACH 3/8-16 X 1 HXHD
4	42	112703F	SCREW, MACH 1/4-20X3/4 SS SOCH
9	41	126112	SCREW, MACH 1/4-20 X 5/8 BHSCS ZP
2	40	124832	SCREW, MACH 1/4-20 X 4-1/2 HXHD ZP
13	39	124467	SCREW, MACH 1/4-20 X 2-3/4HXHD
2	38	124663	SCREW, MACH 1/4-20 X 1-3/4 HXHD Z5
4	37	127332	SCREW, MACH 1/4-20 X 1 HXHD SS
4	36	119269	RIVET, 1/8 X .25 HD .126-.187 GRIP ALUM BLK
1	35	128051	PNL, O2 CONN BRKT
1	34	128065	PNL, GRILL 370C
0.4	33	111703	PAD, 1/4 SILICONE SPONGE 1-1/2W X 16-1/2L
1	32	124825	NUT, 7/16-20 THIN NYLOK ZP
4	31	109392F	NUT, 5/16-18 ZP
12	30	125067	NUT, 3/8-16 ZP
QTY	ITEM	PART NO	DESCRIPTION

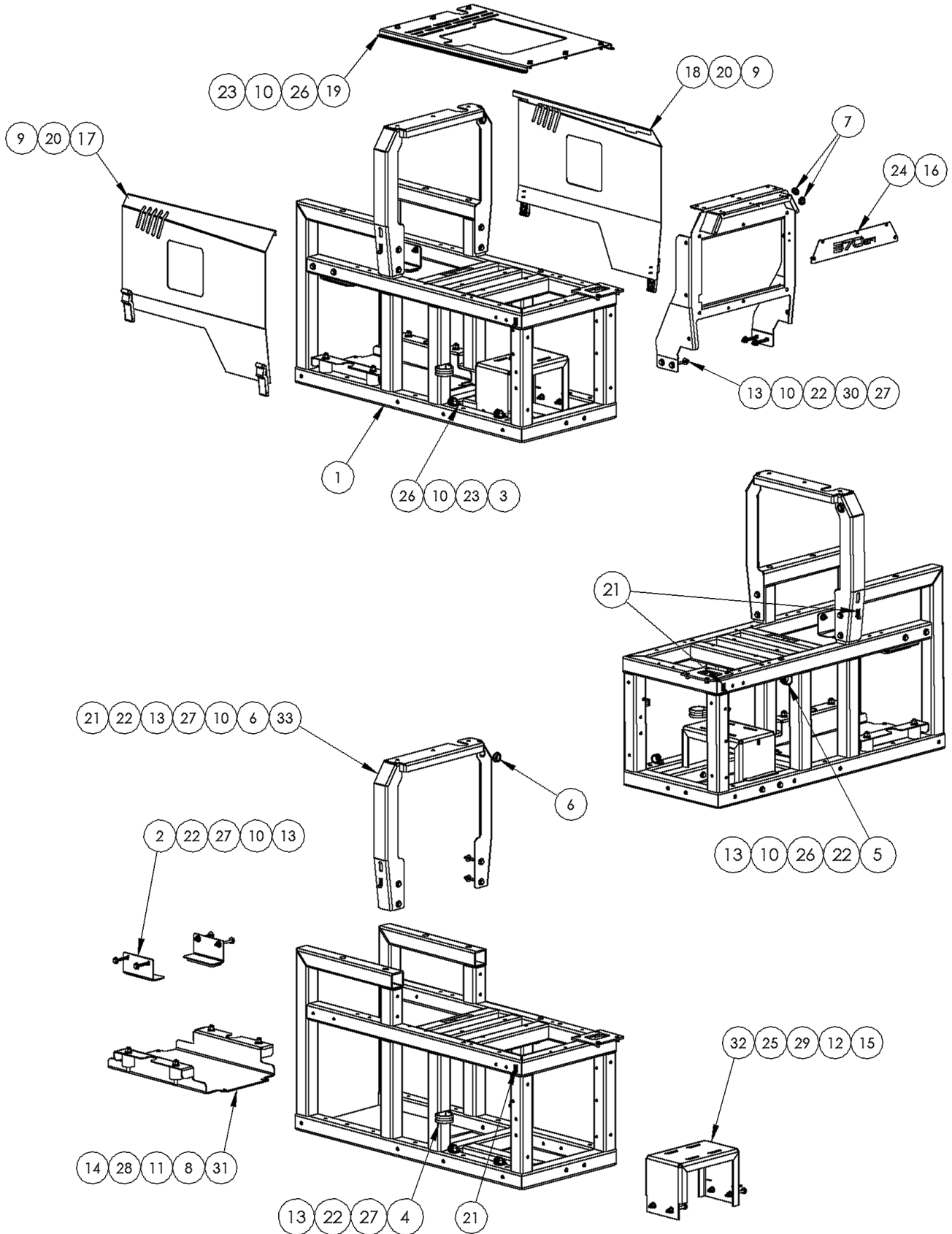
2	29	123603	NUT, 10-32 NYLOK
16	28	126799	NUT, 1/4-20 ZINC
4	27	126570	LKWSR, 5/16 ZINC
13	26	127124	LKWSR, 3/8 ZP
23	25	124461	LKWSR, 1/4 ZINC
4	24	118145F	LKWSR, 1/4 SS
1	23	108927	LIGHT, LED STRIP
1	22	105842	HOSE, 3" ID SILICONE 550F
1	21	106424	FITTING, 1/4 X 5/16 FUEL LINE MANIFOLD
1	20	103430	DECAL, SERIAL
2	19	103604F	CLAMP, HOSE #48 SS
4	18	126162	BOLT, 3/8-16 X 4 G5 HH ZP
2	17	126161	BOLT, 1/4-20 X 3-1/2 HH ZP
1	16	100371	ASSY, 2 IN VACUUM BRKT
1	15	127680	ASSY, WATER PUMP EPHT1813S
1	14	128227	ASSY, VACUUM PUMP 370 EFI
1	13	100803	ASSY, THERMAL WELL
1	12	101004	ASSY, QD BRACKET
1	11	103024	ASSY, MOLDED BELT GUARD BLOWER
1	10	128139	ASSY, LOWER FRONT PANEL
1	9	128039	ASSY, INSTRUMENT PANEL
1	8	128046	ASSY, FRAME AND ENCLOSURES
1	7	128047	ASSY, ENGINE (370C)
1	6	100604	ASSY, EA MODULE
1	5	100500	ASSY, DIVERTER VALVE
1	4	100703	ASSY, BRACKET MTG LOWER RIGHT
1	3	100348	ASSEMBLY, MANIFOLD BLOCK
1	2	100203	ANGLE, CONSOLE MOUNTING RAIL RS
1	1	100202	ANGLE, CONSOLE MOUNTING RAIL LS
QTY	ITEM	PART NO	DESCRIPTION



**SECTION FIVE: SPARE PARTS AND REFERENCE DOCUMENTS**  
**128133 CONSOLE ASSEMBLY BOM TABLE 2 OF 2**

20	IN	113135	SLEEVE, 1 IN BLACK NYLON
1	EA	110903	PLUG, 3/8 NTP BRASS
1.5	QT	128135	OIL, KOHLER PRO EXTENDED LIFE
1.5	QT	118446	OIL AEON PD-XD
18	IN	108182	LOOM, HI HEAT .350 BLACK
0.5	EA	127166	LOCKTITE SEALANT 567
1	EA	107271	KIT, CONSOLE HOSES 370
1	EA	108614	KIT, CONSOLE DECALS 370
1	EA	128293	INSERT-370 EFI OWNER'S MANUAL REFERENCE
1	EA	128218	HARNESS, MAIN 370 EFI
5	FT	105230	GASKET, 1/16 X 1/2 VINYL SPONGE W/PSA
4	EA	110316	CLAMP, WIRE CUSHION 3/4 ID X 1/4 BOLT
2	EA	110315	CLAMP, WIRE CUSHION 1.0 ID X 1/4 BOLT
1	EA	100913	ASSY, LEVEL SENSOR SHUTOFF
1	EA	100474	ASSY, BATTERY CABLE RED THERMAL
1	EA	100775	ASSY, BATTERY CABLE BLACK THERMAL
1.0	GAL	100216	ANTIFREEZE, DUAL PURPOSE
QTY	U/M	PART NO.	DESCRIPTION
<b>ITEMS NOT SHOWN IN DRAWING VIEWS</b>			

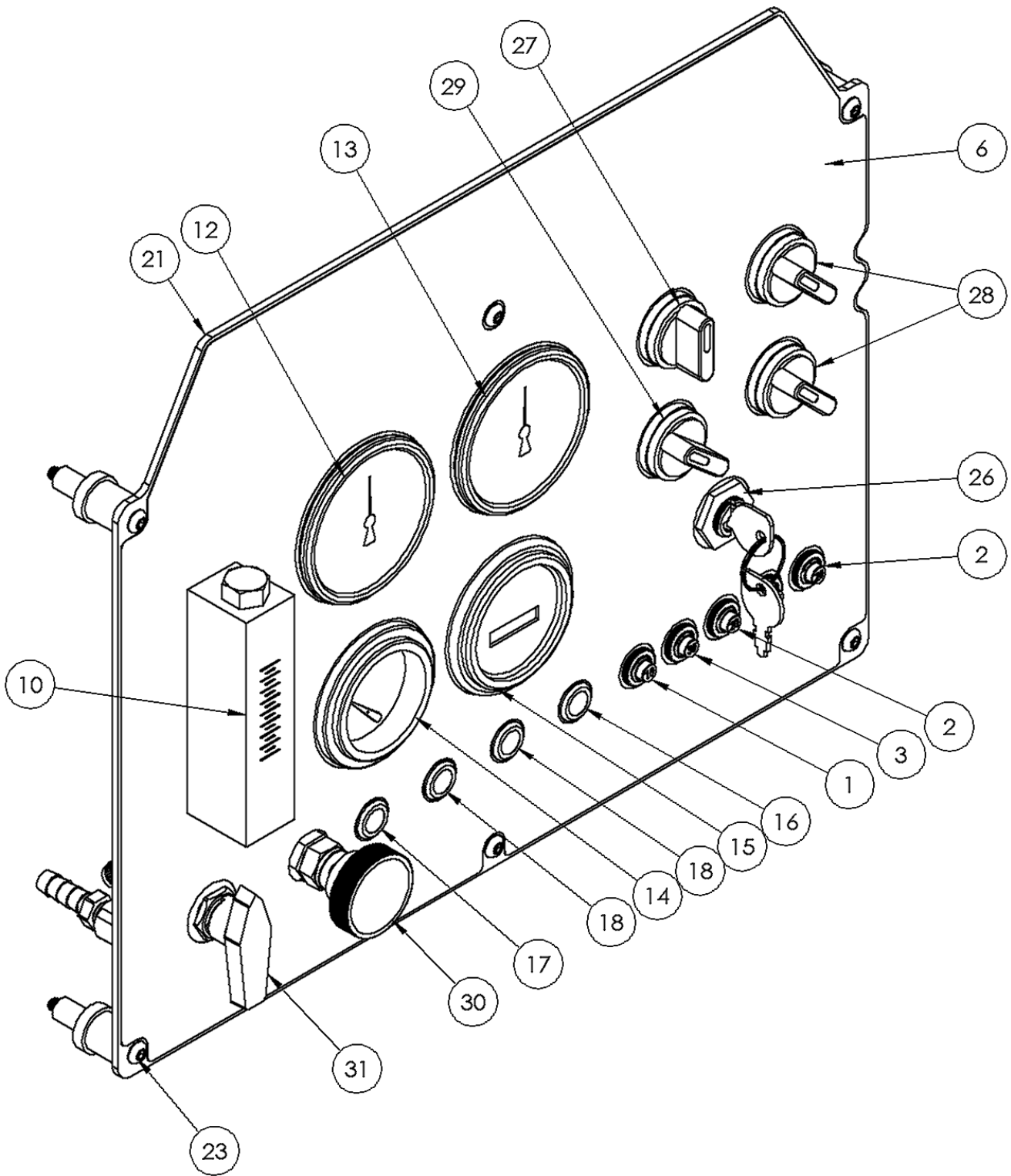
SECTION FIVE: SPARE PARTS AND REFERENCE DOCUMENTS  
**128046 FRAME AND ENCLOSURES**



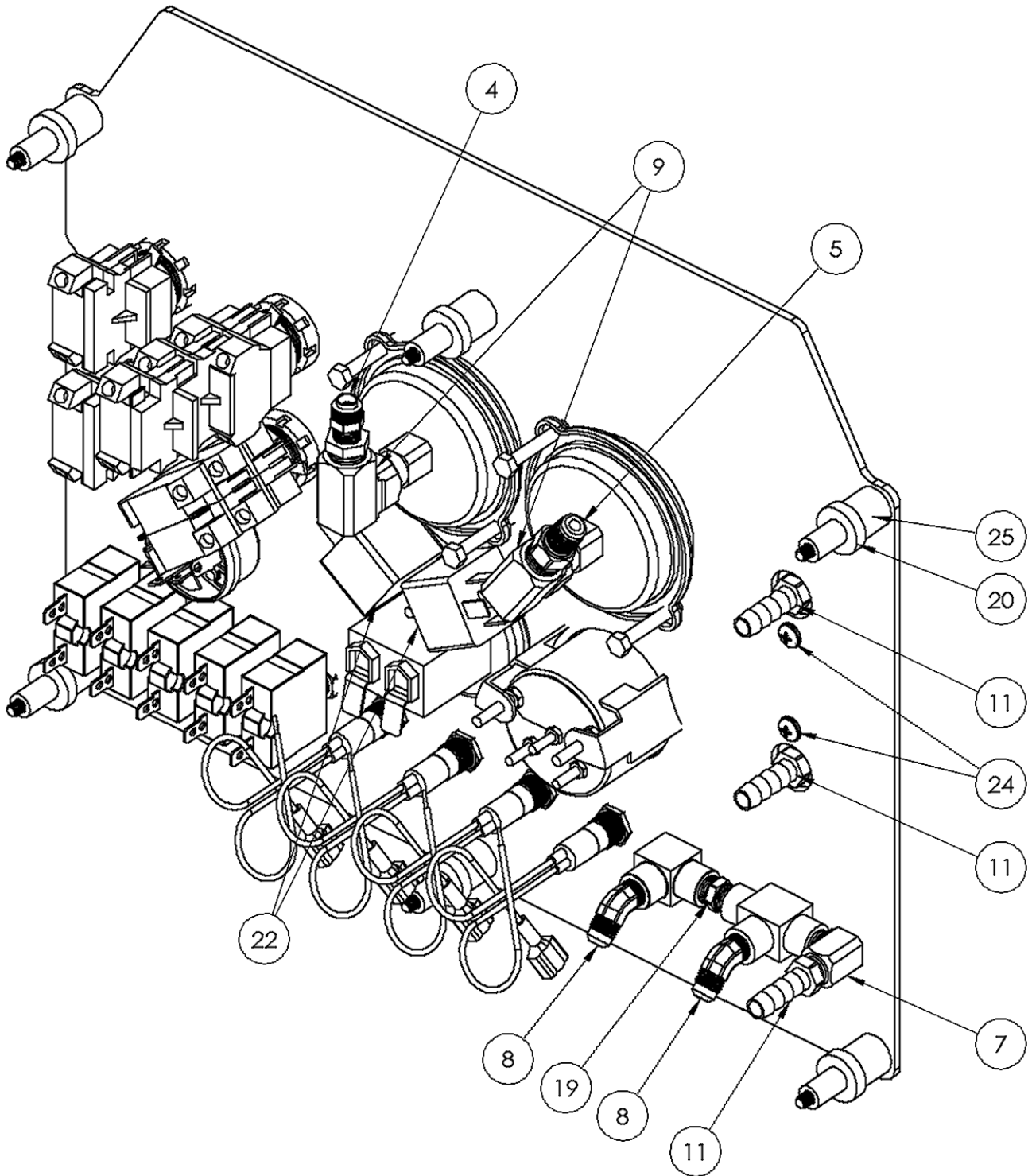
**SECTION FIVE: SPARE PARTS AND REFERENCE DOCUMENTS**  
**128046 FRAME AND ENCLOSURES BOM TABLE**

1	33	128048	WMT, REAR BRACE
1	32	127681	WMT, PUMP MOUNT EPHT1813S
1	31	115368	WELDMENT, THERMAL WELL CRADLE
1	30	116672	WELDMENT, BEZEL SUPPORT
8	29	124460	WASHER, FLAT 5/16 SAE ZINC
4	28	127123	WASHER, FLAT 3/8 USS
26	27	124462	WASHER, FLAT 1/4 USS
11	26	124468	WASHER, FLAT #12 SAE
4	25	126189	SCREW, MACH 5/16-18 X 3 HXHD Z 5
5	24	125343	SCREW, MACH 10-32 X 1/2 BHSCS ZP
9	23	124463	SCREW, MACH 1/4-20 X 3/4 HXHD GRD5
14	22	124467	SCREW, MACH 1/4-20 X 2-3/4HXHD
8	21	119268	RIVET, 5/32 X .312HD .251-.375 GRIP SS
8	20	112026	RIVET, 5/32 X .062HD .125 GRIP SS
1	19	128042	PNL, TOP
1	18	128041	PNL, RIGHT SIDE
1	17	128040	PNL, LEFT SIDE
1	16	128043	PLT, BEZEL NAMEPLATE
4	15	109392F	NUT, 5/16-18 ZP
4	14	125067	NUT, 3/8-16 ZP
14	13	126799	NUT, 1/4-20 ZINC
4	12	126570	LKWSR, 5/16 ZINC
4	11	127124	LKWSR, 3/8 ZP
23	10	124461	LKWSR, 1/4 ZINC
4	9	109529	LATCH, DRAW SS CONCEALED MOUNT
4	8	117662	ISOLATOR, 1.5 OD X 1.5 TALL 50 DURO
2	7	105430	GROMMET, 7/8" OD X 3/8" ID X 1/8" PANEL
1	6	117223	GROMMET, 1-1/8 OD X 5/8 ID X 1/8 PANEL
1	5	110315F	CLAMP,WIRE CUSHION 1.00 ID X 1/4 BOLT
1	4	102694F	CLAMP,2 #26 VINYL COATED SPIN
3	3	110316F	CLAMP, WIRE CUSHION 3/4 ID X 1/4 BOLT
2	2	101212	ASSY, WATER BOX BRACKET
1	1	100618	ASSY, FRAME 370A
QTY	ITEM	PART NO.	DESCRIPTION

SECTION FIVE: SPARE PARTS AND REFERENCE DOCUMENTS  
128039 INSTRUMENT PANEL ASSEMBLY



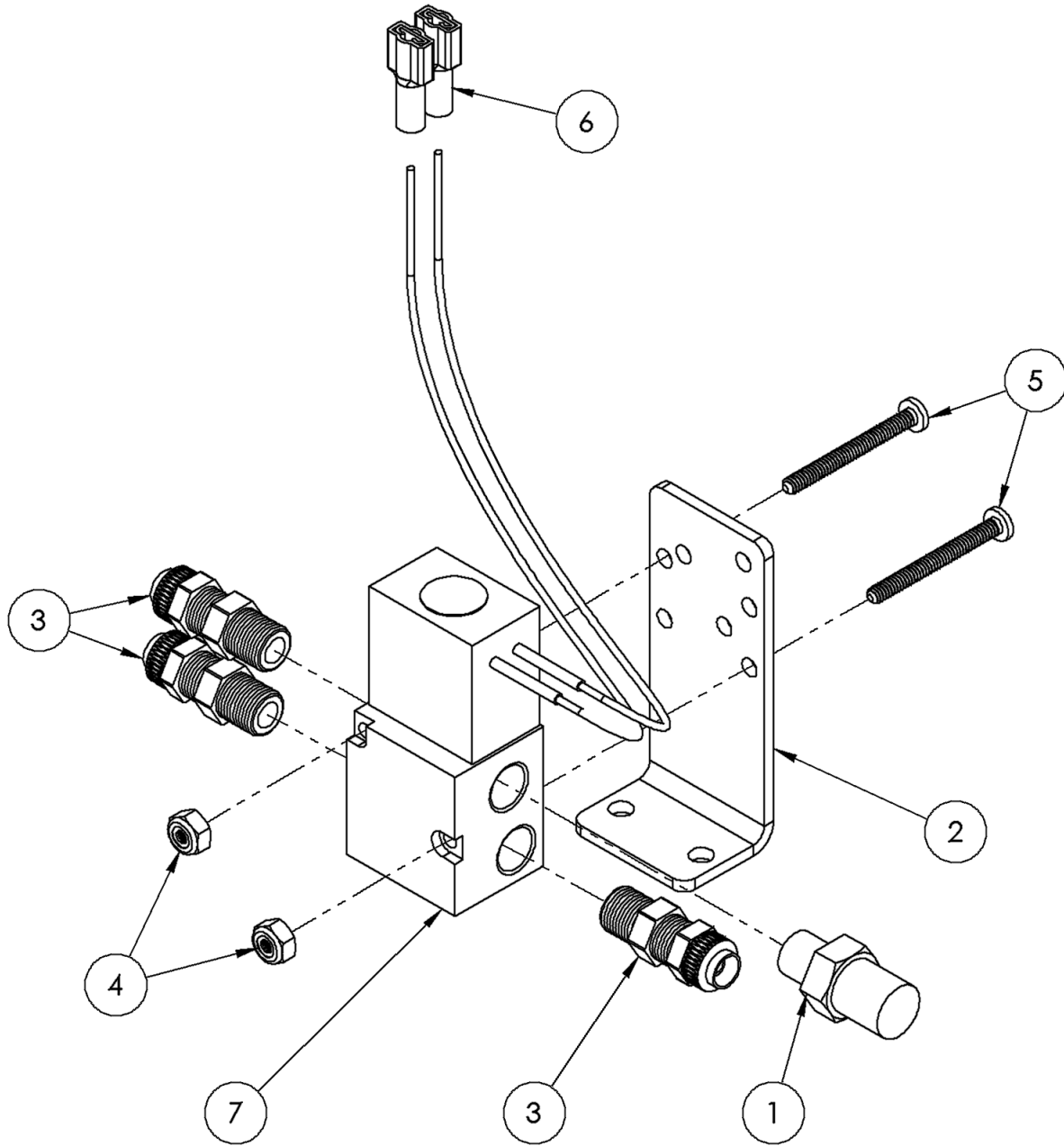
SECTION FIVE: SPARE PARTS AND REFERENCE DOCUMENTS  
128039 INSTRUMENT PANEL ASSEMBLY



**SECTION FIVE: SPARE PARTS AND REFERENCE DOCUMENTS**  
**128039 INSTRUMENT PANEL ASSEMBLY BOM TABLE**

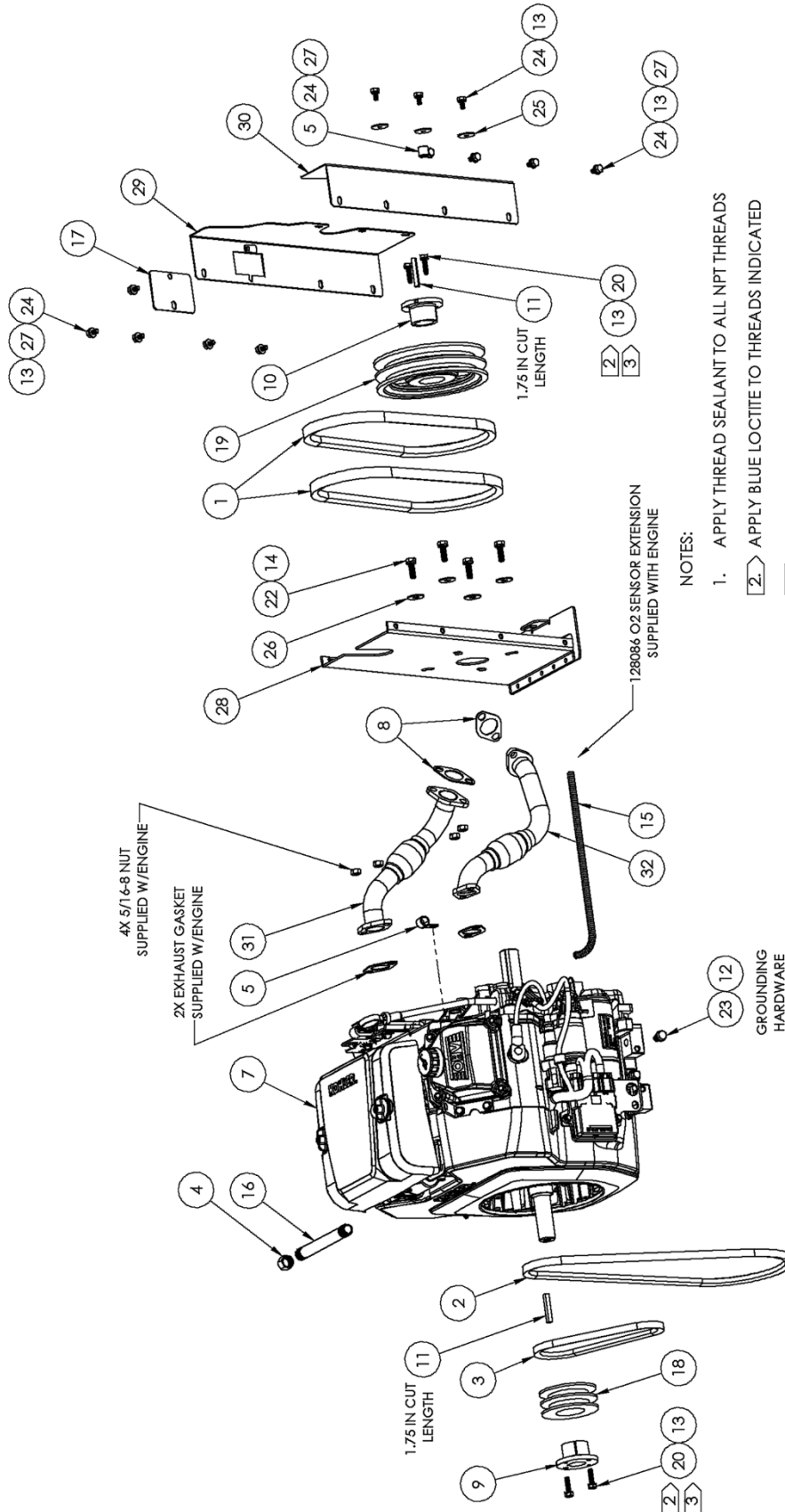
1	31	120878	VALVE, 3-WAY TEE 1/8 FNPT SS
1	30	127618	VALVE, METERING 1/8 FNPT 90 DEG SS MODIFIED
1	29	113437	SWITCH, ROTARY, 4POS 2NO 2NC
2	28	113713	SWITCH, ROTARY NON-ILLUMINATED
1	27	115764	SWITCH, ROTARY 3 POS SR FROM LEFT 3 NO 1 NC
1	26	113676	SWITCH, INDAK W/ B805 HARDWARE
6	25	113247	SPACER, .625 OD X .192 ID X .625 LG 6/6 NYLON
2	24	125062	SCREW, MACH 10-32 X 1/4 PHP ZP
6	23	126179	SCREW, MACH 10-32 X 1.75 BHSCS SS
2	22	111850	RELAY, ENG. SHUT DOWN 12V 40/60 AMP
1	21	128038	PNL, INSTRUMENT
6	20	111396	NUT, WELL G 1032 .375
1	19	111219	NIP, 1/8 IN HEX BRASS
2	18	128052	LIGHT ASSY, RED INDICATOR
1	17	128054	LIGHT ASSY, GREEN INDICATOR
1	16	128053	LIGHT ASSY, AMBER INDICATOR
1	15	106369	HOURMETER, HOBBS CHROME BEZEL
1	14	106842	GAUGE, WTR TEMP CHROME 280 DEG.
1	13	106840	GAUGE, VACUUM 2.5 IN 0-30 IN/HG
1	12	117185	GAUGE, PRESSURE 2.5 IN 0-1500 PSI
3	11	105363	FTTG-BRB 1/8 PX 5/16 H BR
1	10	104762	FLOWMETER, 1/8 FP
2	9	104988	ELL, 1/4" FORGED BRASS
2	8	104191	ELL, 1-8 P X 1/4 T 45 DEGREE BRASS
1	7	116271	ELL, STREET 1/8 IN BRASS
1	6	128055	DECAL, INSTRUMENT PANEL
1	5	103762	CONN, 1/4 P X 1/4 T BRASS
1	4	110779	CONN, 1/4 P X 1/4 POLY
1	3	101959	BREAKER, 30 AMP
3	2	101955	BREAKER, 20 AMP
1	1	108157	BREAKER, 10 AMP
QTY	ITEM	PART NO.	DESCRIPTION

SECTION FIVE: SPARE PARTS AND REFERENCE DOCUMENTS  
**100500 DIVERTER VALVE ASSEMBLY**



1	7	110418	VALVE, MACVALVE 45A-AA1-DDBA-1BA=CLSF
2	6	113988	TERM, INS PUSHON 14-16 GA FML
2	5	126028	SCREW, MACH 6-32 X 1-3/8 PHP ZP
2	4	126010	NUT, 6-32 NYLOK ZP
3	3	110781	CONN, 1/8 NPT X 1/4 POLY
1	2	101937	BRACKET, DIVERTER LOCKOUT VALVE
1	1	100136	1/8 IN AIR MUFFLER
QTY	ITEM	PART NO.	DESCRIPTION

SECTION FIVE: SPARE PARTS AND REFERENCE DOCUMENTS  
**128047 ENGINE ASSEMBLY**



NOTES:

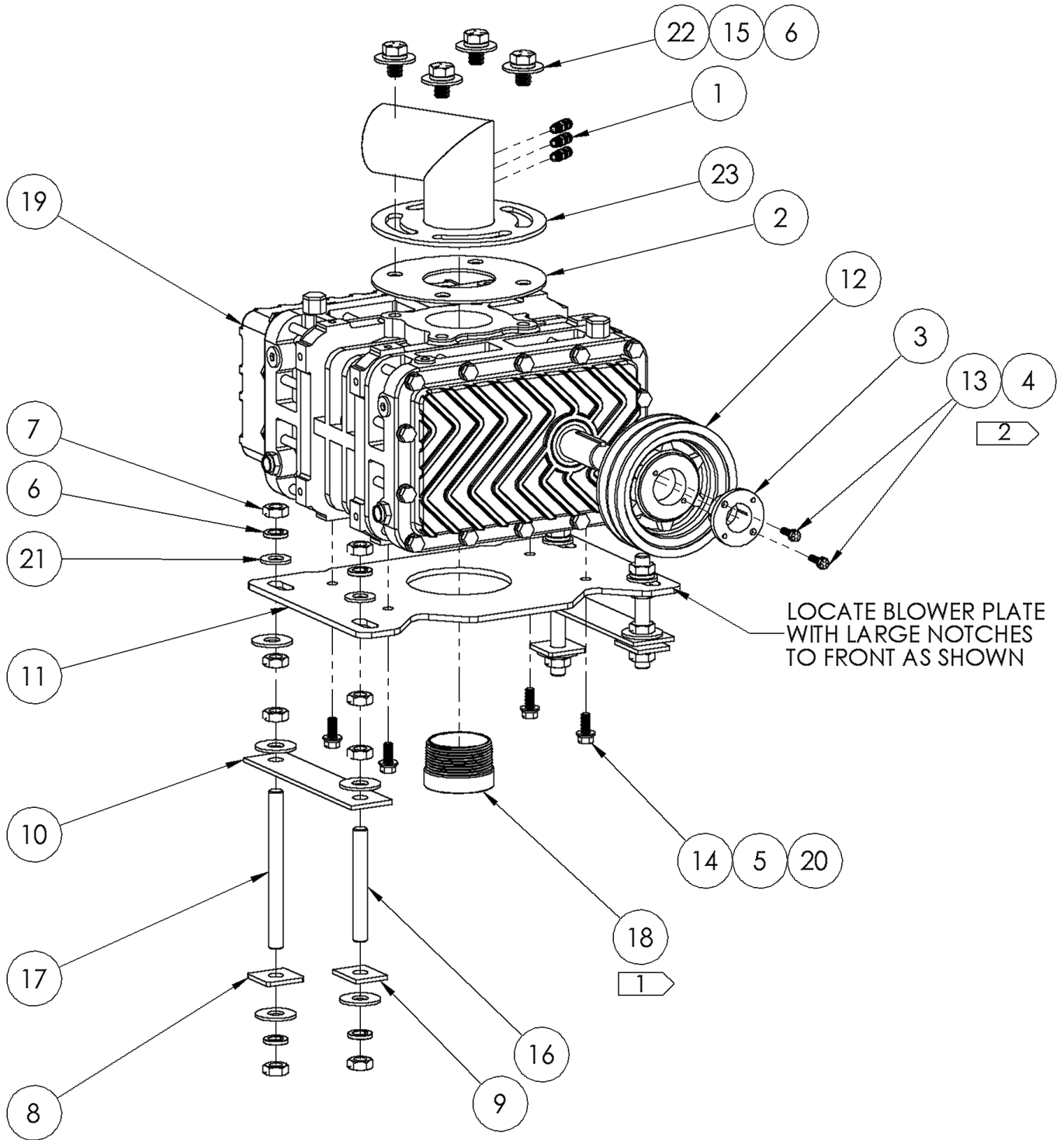
1. APPLY THREAD SEALANT TO ALL NPT THREADS
2. APPLY BLUE LOCTITE TO THREADS INDICATED
3. TORQUE BOLT TO 10 FT LB
4. DISCARD SS EXHAUST SLEEVES THAT COME WITH ENGINE



**SECTION FIVE: SPARE PARTS AND REFERENCE DOCUMENTS**  
**128047 ENGINE ASSEMBLY BOM TABLE**

1	32	128045	WMT, EXHAUST TUBE RS
1	31	100374	WMT, EXHAUST TUBE LS, 370 SS
1	30	114955	WMT, BELT GUARD RS
1	29	114952	WMT, BELT GUARD LS
1	28	128045	WMT, BELT GUARD BACK & BTM
9	27	124468	WASHER, FLAT #12 SAE
4	26	126395	WASHER, FENDER 5/16 X 1 OD ZP
3	25	126828	WASHER, FENDER 1/4 X 1.0 ZP
12	24	127330	SCREW, MACH 1/4-20 X 1/2 HXHD ZPS
1	23	124395	SCREW, MACH M8-1/25 X 16 HEXHD
4	22	128259	SCREW, MACH 5/16-24 X 1 HXHD ZP
1	21	124463	SCREW, MACH 1/4-20 X 3/4 HXHD GRD5
4	20	124396	SCREW, MACH 1/4-20 X 1 HXHD YZ8
1	19	111435	PULLEY, 2BK70H
1	18	111275	PULLEY, 2AK34H
1	17	112514	PLATE, BELT INSPECTION
1	16	109594	NIPPLE, 3/8 NPT X 6" SS
1	15	128265	LOOM, HI HEAT .25 DIA. SILVER (3 FT)
4	14	126570	LKWSR, 5/16 ZINC
16	13	124461	LKWSR, 1/4 ZINC
1	12	124817	LKWSR, M8 HARD
2	11	108371	KEYSTK, 304SS 1/4 SQ
1	10	106179	HUB, H X 1 1/8 WITH SET SCREW WAS 38-052
1	9	107970	HUB, H X 1 W/SET SCREW WAS 38-021
2	8	106832	GASKET, EXHAUST, ONAN# 154-2747
1	7	127947	ENGINE, KOHLER ECH749-PA-D23-144
1	6	128295	DECAL, ENGINE 300 HOUR QR CODE
2	5	102680F	CLAMP, 1/2 ID VINYL COVERED
1	4	102374	CAP, 3/8" BRASS
1	3	102128	BELT, 3L190 (MODEL 370)
1	2	101364	BELT, AX40 GATES (EPDM)
2	1	101476	BELT BX32 GATES EPDM ONLY
QTY	ITEM	PART NO.	DESCRIPTION

SECTION FIVE: SPARE PARTS AND REFERENCE DOCUMENTS  
**128227 VACUUM PUMP ASSEMBLY**



NOTES:

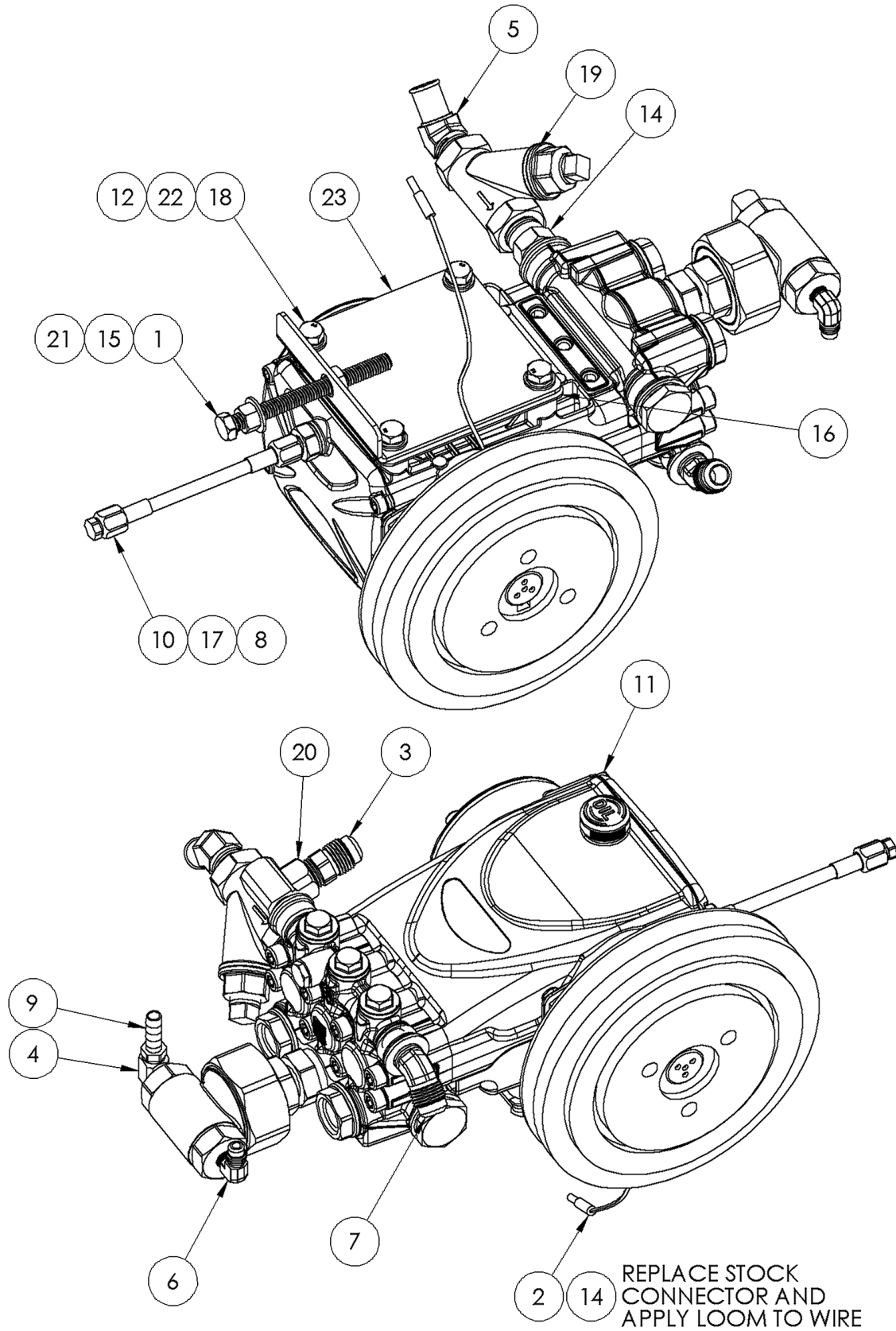
**1.** APPLY ANTI-SEIZE TO INDICATED PIPE THREADS AND FASTENERS BEFORE ASSEMBLY.

**2.** TORQUE HUB BOLTS TO 10 FT-LBS.

**SECTION FIVE: SPARE PARTS AND REFERENCE DOCUMENTS**  
**128227 VACUUM PUMP ASSEMBLY BOM TABLE**

1	23	128149	WMT, 370 BLOWER INLET ADAPTER
14	22	125687	WASHER, FLAT 5/8 USS ZP
4	21	126238	WASHER, FLAT 5/8 SAE ZP
4	20	127123	WASHER, FLAT 3/8 USS
1	19	125521	VACUUM PUMP, EURUS ZG4006
1	18	126565	TUBE, BLOWER OUTLET 2.50 NPT X 2.0L
2	17	114090	THREADED ROD, 5/8-18 X 7.0 IN
2	16	119838	THREADED ROD, .625-18 X 5.0 IN
4	15	128261	SCREW, 5/8-11 X 1 HXHD ZP
4	14	127235	SCREW, MACH 3/8-16 X 1 HXHD
2	13	124396	SCREW, MACH 1/4-20 X 1 HXHD YZ8
1	12	111278	PULLEY, 2BK62H
1	11	126640	PLT, VACUUM PUMP MOUNTING
2	10	112522	PLATE, BLOWER MOUNTING TOP
2	9	110793	PLATE, BLOWER MOUNTING MIDDLE
2	8	110105	PLATE, BLOWER MOUNTING BOTTOM
16	7	125684	NUT, 5/8-18 JAM ZP
12	6	125686	LKWSR, 5/8 ZP
4	5	127124	LKWSR, 3/8 ZP
2	4	124461	LKWSR, 1/4 ZINC
1	3	117555	HUB, H X 1 1/4 WITH SET SCREW WAS 38-056
1	2	128221	GASKET, BLOWER INLET ADAPTER SMALL FLANGE
3	1	110781	CONN, 1/8 NPT X 1/4 POLY
QTY	ITEM	PART NO.	DESCRIPTION

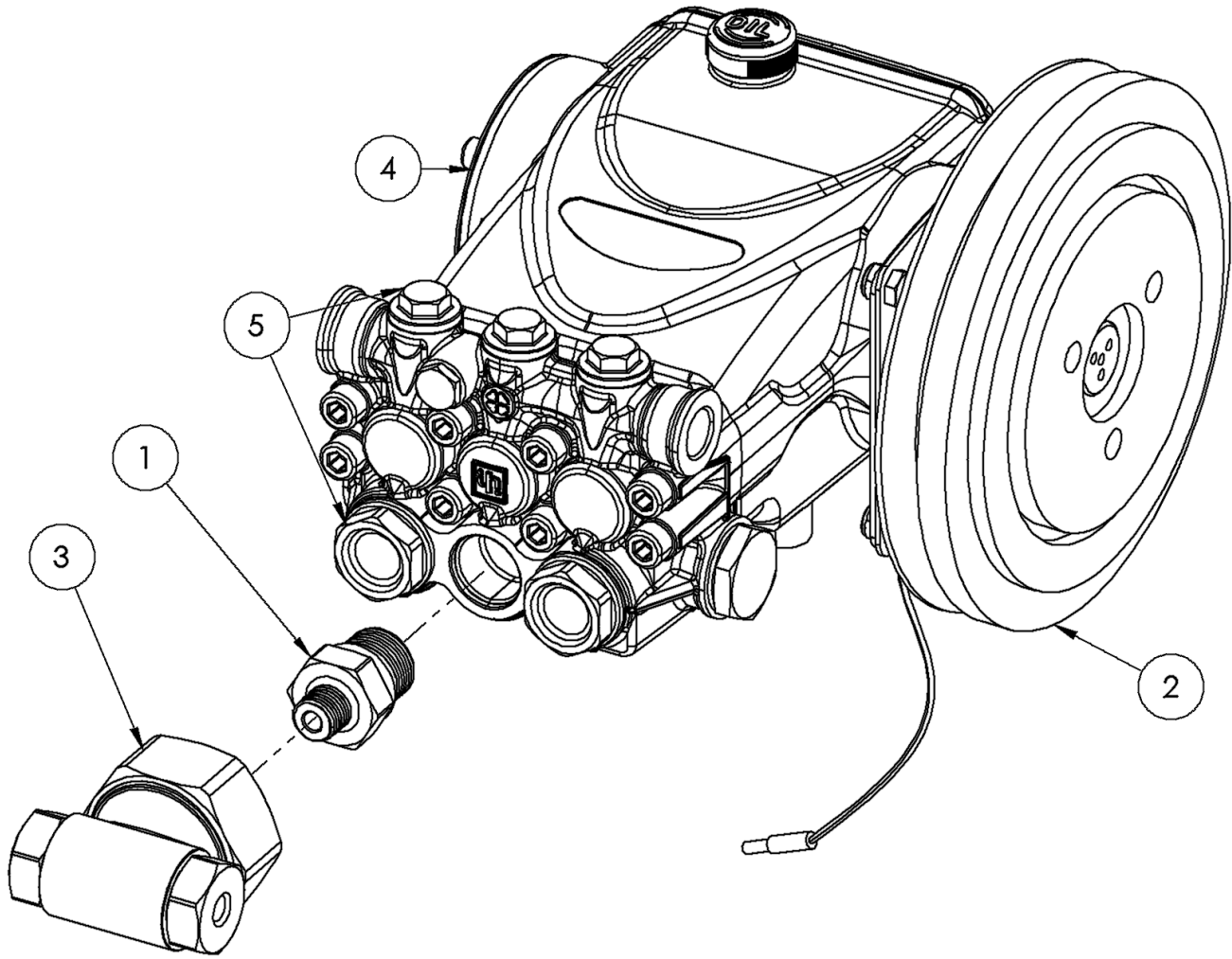
SECTION FIVE: SPARE PARTS AND REFERENCE DOCUMENTS  
**127680 PRESSURE PUMP ASSEMBLY**



**SECTION FIVE: SPARE PARTS AND REFERENCE DOCUMENTS**  
**127680 PRESSURE PUMP ASSEMBLY BOM TABLE**

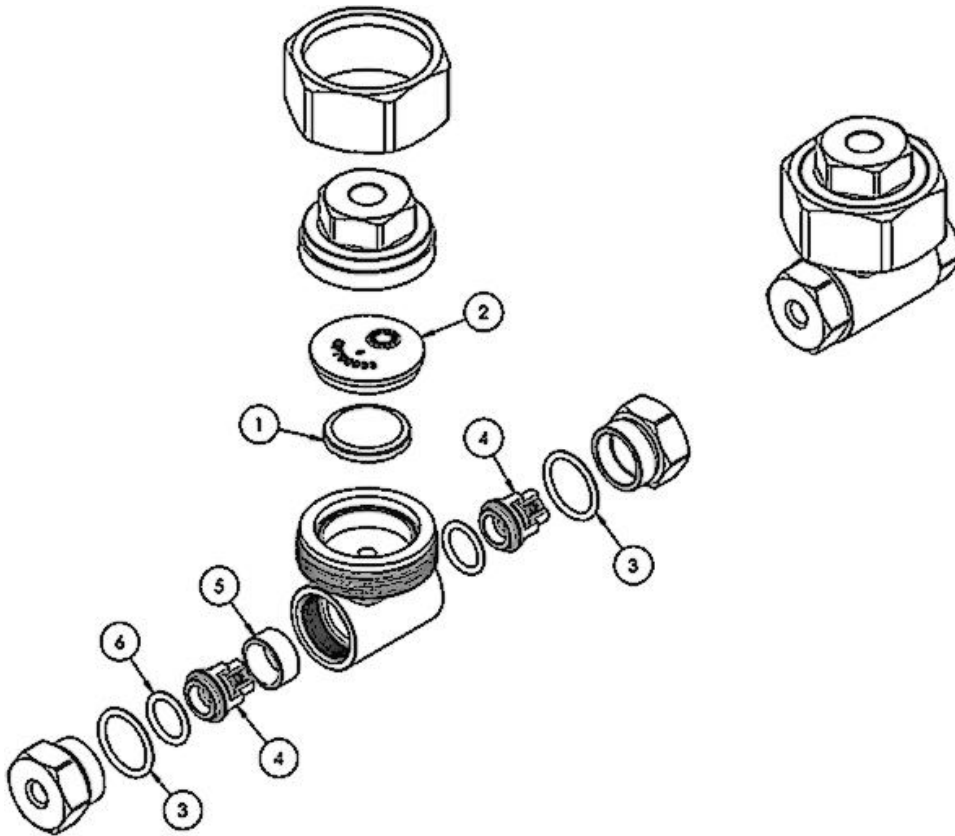
1	23	116855	WELDMENT, PRESSURE PUMP ADJUST
4	22	124460	WASHER, FLAT 5/16 SAE ZINC
1	21	127123	WASHER, FLAT 3/8 USS
1	20	113977	TEE, 3/8 F X M X F BRASS
1	19	119682	STRAINER, 1/2 WYE BRASS
4	18	125699	SCREW, MACH M8-1.25 X 25MM HXHD G8.8 ZP
1	17	112849	PLUG, 1/4 IN T BRASS
1	16	110232	PLATE, GEN HTX1813S SHIM .060 THK
1	15	125067	NUT, 3/8-16 ZP
1	14	118365	NIP, 1/2 IN HEX BRASS
11 IN	13	110273	LOOM, HI HEAT .250 DIA. BLACK
4	12	126570	LKWSR, 5/16 ZINC
1	11	127678	KIT, GP EPHT1813S
1	10	107413	HOSE ASSEMBLY, 3/16 ID X 04 FJIC X 04 FJIC X 5.0 L
1	9	105363	FTTG-BRB 1/8 PX 5/16 H BR
1	8	106615	FTTG, 1/4 BSPP X 7/16 JIC STEEL
1	7	104994	ELL, 3/8 P X 1/2 T 45DEG BRASS
1	6	104394	ELL, 1/8 P X 1/4 T SS
1	5	105075	ELL, 1/2 NPT X 45 D BARB 5/8 BRASS
1	4	116271	ELL, STREET 1/8 IN BRASS
1	3	103120	CONN, 3/8 P X 1/2 T BRASS
1	2	102835	CONN, BULLET MALE 14-16 GA
1	1	124816	BOLT, TAP 3/8-16 X 4 G5 ZP
QTY	ITEM	PART NO.	DESCRIPTION

**SECTION FIVE: SPARE PARTS AND REFERENCE DOCUMENTS**  
**127678 PRESSURE PUMP COMPONENTS**



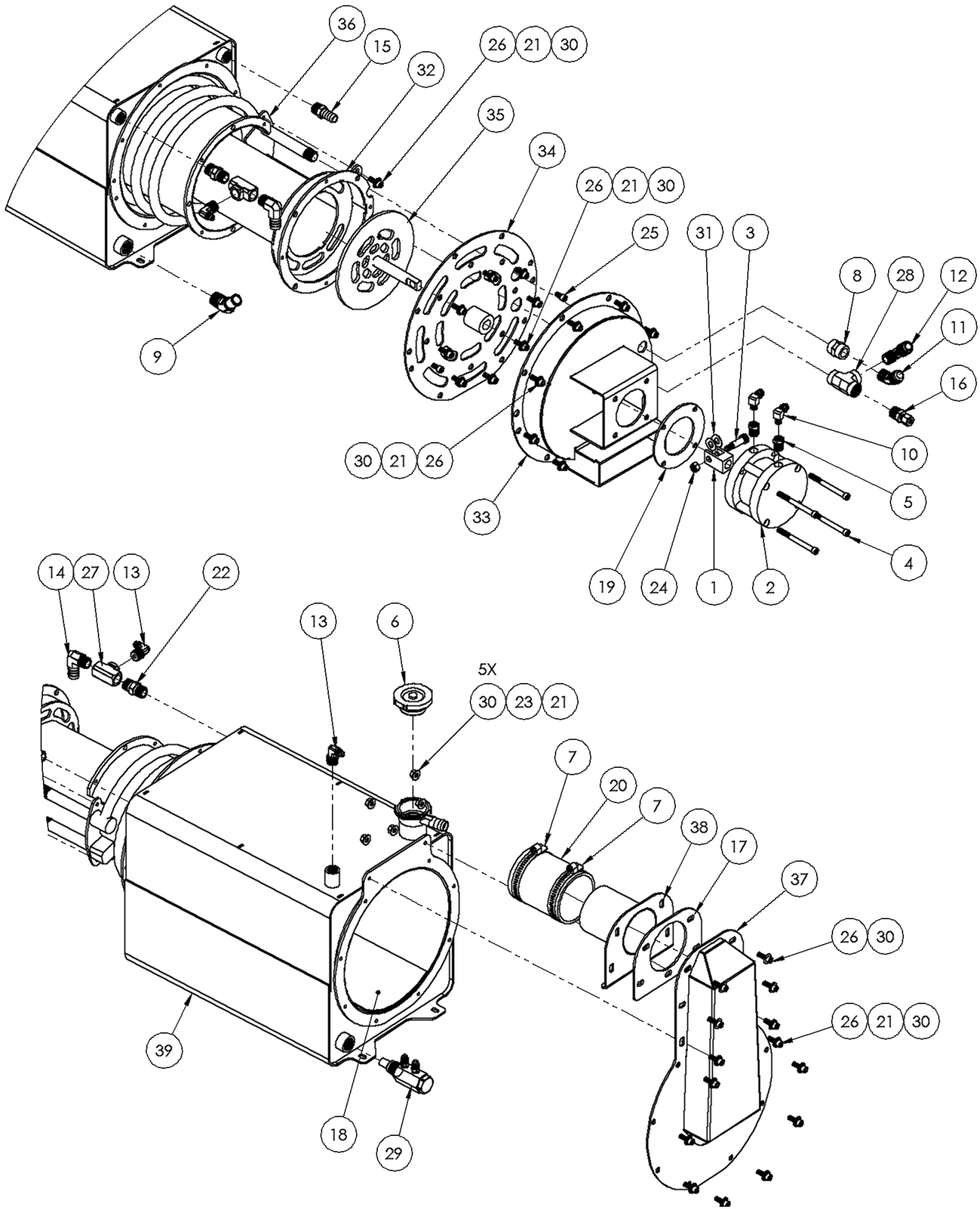
1 SET	5	107430	103036	VALVE KIT, HTXS GENERAL PUMP (SET OF 6 VALVES)
1	4	127679	EPHT 1813S	PUMP, WATER GP EPHT1813S
1	3	119114	100906	PUMP, CHEMICAL GENERAL 100906
1	2	102982	100718	CLUTCH, GENERAL 100718 12V 1G
1	1	101624	520197	ADAPTER, 63(TX) PUMP SERIES
QTY	ITEM	PART NO.	GEN PUMP NO.	DESCRIPTION

SECTION FIVE: SPARE PARTS AND REFERENCE DOCUMENTS  
**119114 CHEMICAL PUMP ASSEMBLY (GENERAL 100906)**



2	6	109770	O-RING, .612ID X .103CS 70D
1	5	115267	SPACER, 303SS RING
2	4	100958	ASSY, VALVE KIT 103162
2	3	109583	O-RING, .862ID X .103CS, -118
1	2	103630	DIAPHRAGM, RUBBER
1	1	114711	DISC, PLASTIC
QTY	ITEM NO.	PART NO.	DESCRIPTION

SECTION FIVE: SPARE PARTS AND REFERENCE DOCUMENTS  
**100803 EXHAUST HEAT EXCHANGER ASSEMBLY**

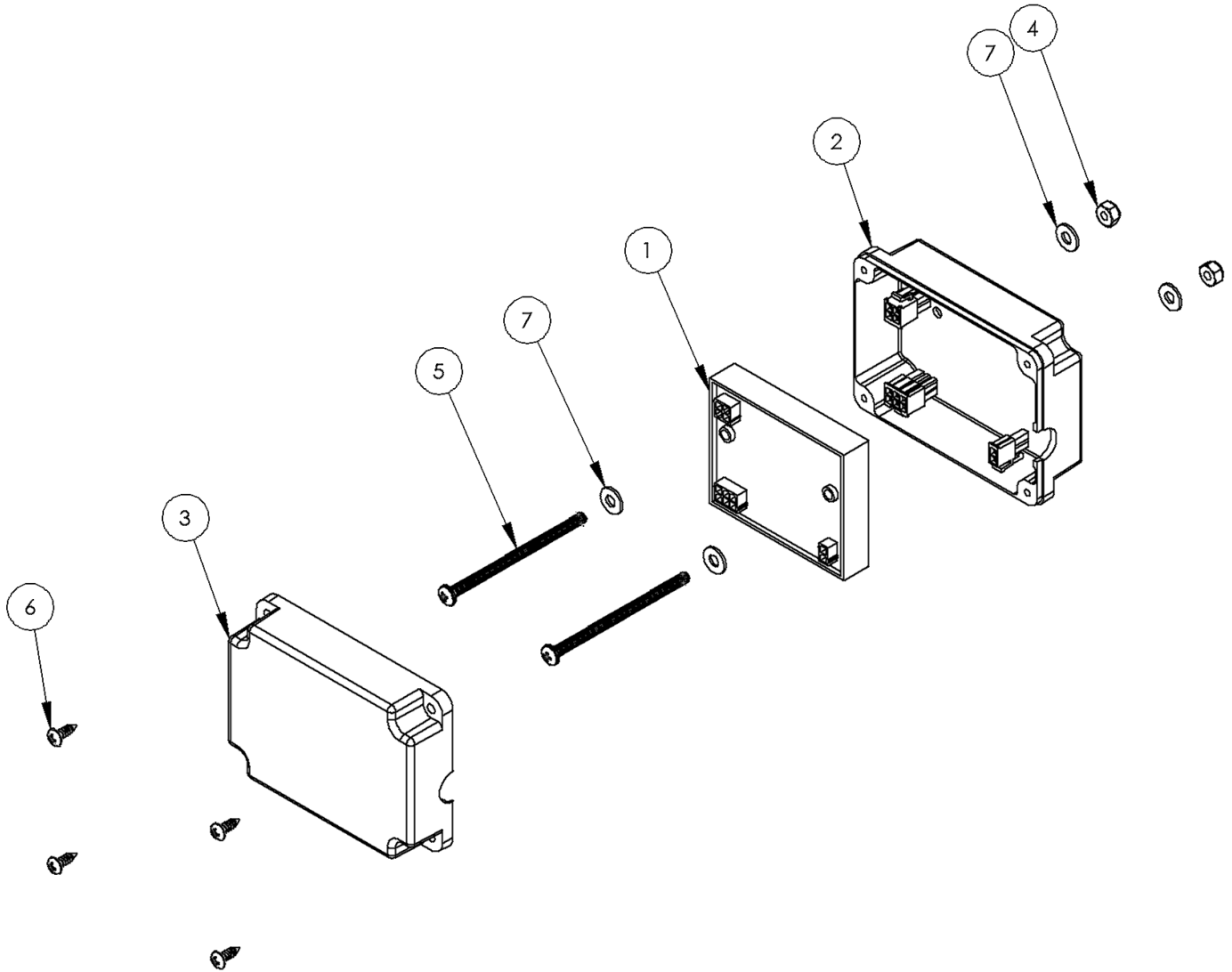




**SECTION FIVE: SPARE PARTS AND REFERENCE DOCUMENTS**  
**100803 EXHAUST HEAT EXCHANGER ASSEMBLY BOM TABLE**

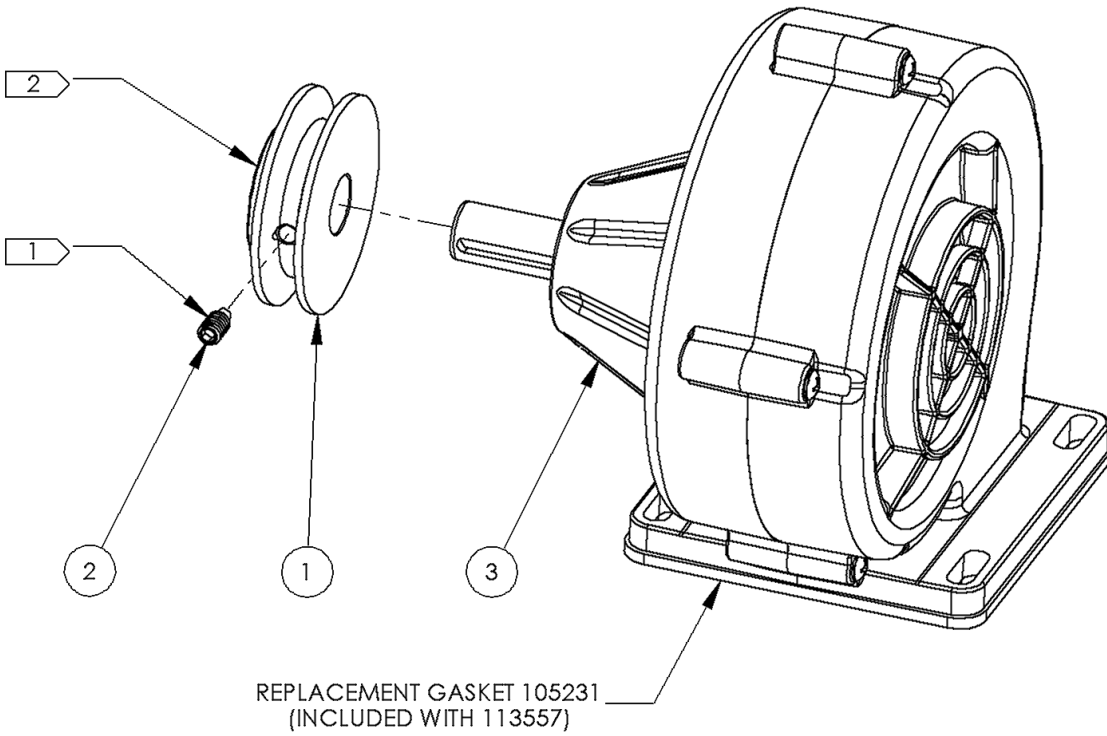
1	39	117073	WMT, WATER BOX 2PC WRAPPER
1	38	115511	WELDMENT, INLET TUBE
1	37	116846	WELDMENT, INLET ADAPTOR
1	36	102196	WELDMENT, FINNED TUBE COIL
1	35	100345	WELDMENT, DIVERTER PLATE
1	34	100706	WELDMENT, DIVERTER HOUSING PLATE
1	33	100705	WELDMENT, DIVERTER COVER
1	32	102193	WELDMENT, DIVERTER CHAMBER
2	31	127427	WASHER, FLAT, .38 X .812 X .03 PTFE
37	30	116630F	WASHER, FLAT 1/4 SS
1	29	114884	VALVE, 165 DEG THERMAL RELIEF VENT
1	28	119798	TEE, 3/8 NPT HI PRESSURE BRASS
1	27	119797	TEE, 3/8 IN BRASS
32	26	112703F	SCREW, MACH 1/4-20X3/4 SS SOCH
2	25	127331	SCREW, MACH 1/4-20X1/2 SOCHDSS
1	24	118418F	NUT, 5/16-18 TOPLOCK GRC ZP
5	23	127334	NUT, 1/4-20 SS
1	22	118366	NIP, 3/8 IN HEX BRASS
33	21	118145F	LKWSR, 1/4 SS
1	20	105842	HOSE, 3" ID SILICONE 550F
1	19	105564	GASKET, DIVERTER CYL 1/8" FGLASS REINF SILICONE
1	18	117158	GASKET, 5 13/16" X 17 X .0625 SILICONE SHT W/PSA
1	17	105547	GASKET, INLET ADAPTER (370SS) 5 BOLT
1	16	117102	FTTG, 3/8NPT X 1/4 COMPRESSION SS
1	15	117123	FTTG, BRB 3/8 PX 1/2 H BR
1	14	127685	FTTG, BARB 90 DEG 3/8 NPT X 5/8 H BRASS
2	13	104397	ELL, 3/8 P X 1/4 T BRASS
1	12	104995	ELL, 3/8 P X 1/2 T BRASS
1	11	104994	ELL, 3/8 P X 1/2 T 45DEG BRASS
2	10	104073	ELL, 1/8 PX 1/4 POLY BR
1	9	105075	ELL, 1/2 NPT X 45 D BARB 5/8 BRASS
1	8	103354	COUPLING, 3/8 BRASS
2	7	103604F	CLAMP, HOSE #48 SS
1	6	109191	CAP, RADIATOR 23 LB LARGE VENT
2	5	102096	BUSHING- 1/4 M X 1/8 F BRASS
4	4	101450F	BOLT, 1/4-20 X 3 SHCS
1	3	107647F	BOLT, SHOULDER 5-16-18 X 7/8"
1	2	102387	BIMBA CYLINDER, FO-701.5-CMTV
1	1	103670	.875 SQ CLEVIS WITH 5/8-11 THREAD
QTY	ITEM	PART NO.	DESCRIPTION

**SECTION FIVE: SPARE PARTS AND REFERENCE DOCUMENTS**  
**100604 TEMPERATURE CONTROL MODULE ASSEMBLY**



4	7	123609	WASHER, FLAT #10 SAE ZP
4	6	126262	SCREW, SHT MTL 8-15 X 1/2 PHP ZP
2	5	127585	SCREW, MACH 10-32 X 3-1/4 PHP ZP
2	4	123603	NUT, 10-32 NYLOK
1	3	108628	MOLDING, TEMP CNTL BOX LID
1	2	108627	MOLDING, TEMP CNTL BOX BOTTOM
1	1	109311	MODULE, TEMP CONTROL
QTY	ITEM	PART NO.	DESCRIPTION

SECTION FIVE: SPARE PARTS AND REFERENCE DOCUMENTS  
**103024 BELT GUARD BLOWER ASSEMBLY**

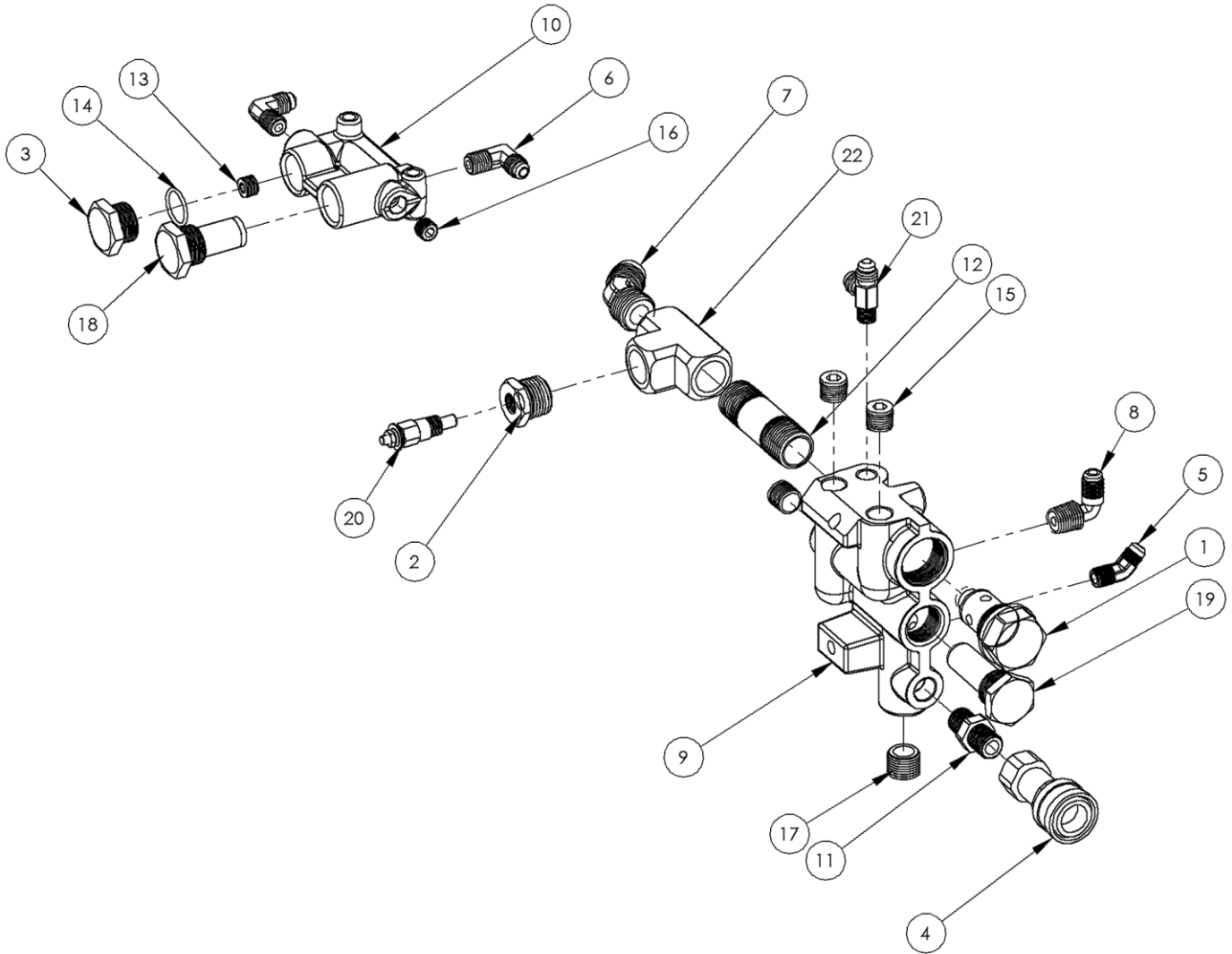


NOTES:

- 1. APPLY BLUE (TEMPORARY) THREAD LOCKING COMPOUND TO SET SCREW THREADS. TIGHTEN SET SCREWS AFTER ALIGNING THE BELT GROOVE WITH THE ENGINE DRIVE PULLEY GROOVE
- 2. PULLEY ORIENTATION MAY BE REVERSED TO PROVIDE CLEARANCE IN NEXT ASSEMBLY

1	3	113557	SUBASSY, BELT GUARD BLOWER
1	2	112462	SCREW, FULL DOG SET 1/4-20 X 1/2 BLK
1	1	113418	PULLEY, 3L BELT X 2.340 OD
QTY	ITEM	PART NO.	DESCRIPTION

SECTION FIVE: SPARE PARTS AND REFERENCE DOCUMENTS  
100348 SOLUTION & BYPASS MANIFOLD ASSEMBLY

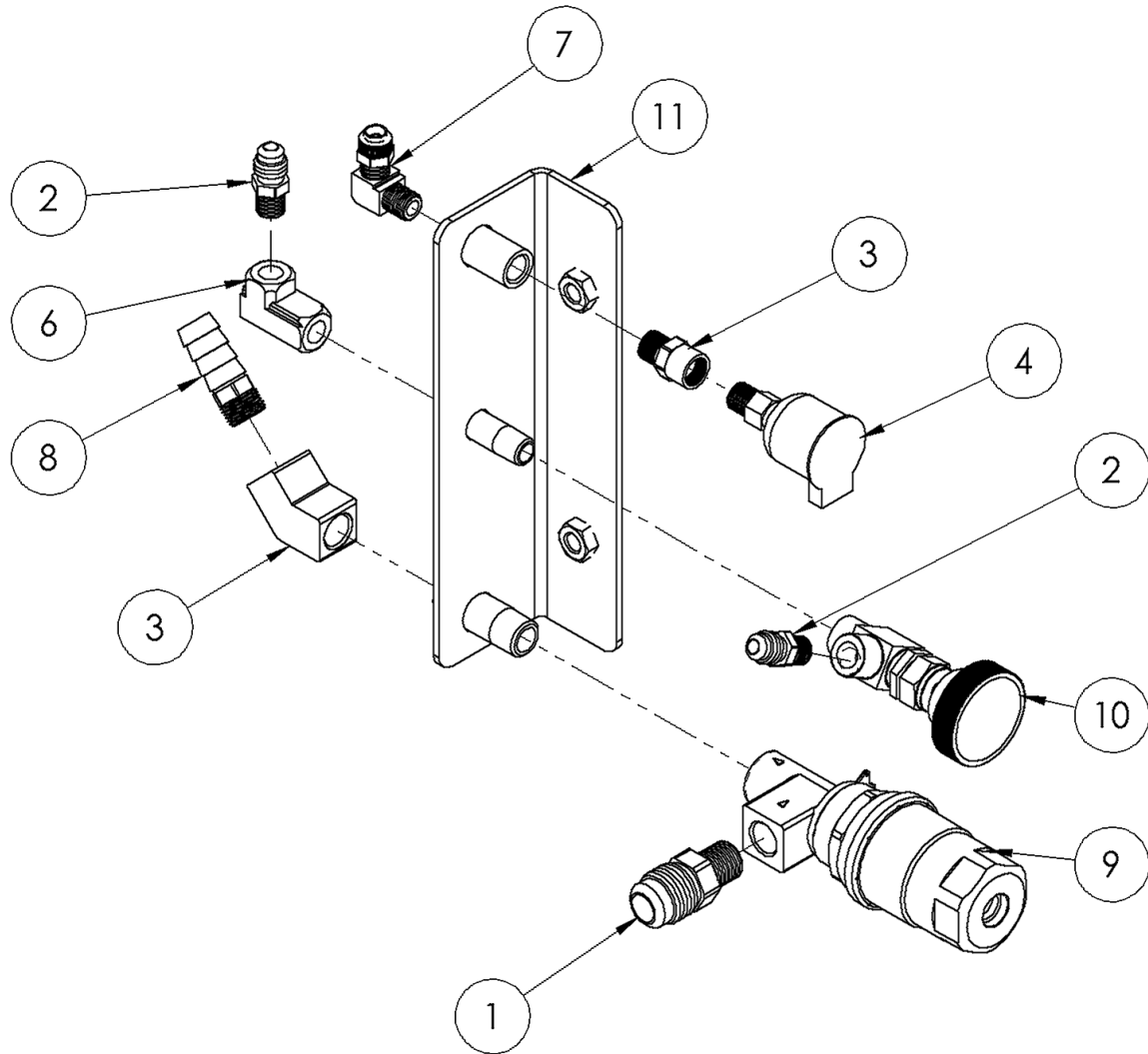


APPLY PIPE SEALANT TO ALL PIPE THREADS BEFORE ASSEMBLY

**SECTION FIVE: SPARE PARTS AND REFERENCE DOCUMENTS**  
**100348 SOLUTION & BYPASS MANIFOLD ASSEMBLY BOM TABLE**

1	22	115903	TEE, 1/2 IN BRASS
1	21	119800	TEE, RUN 1/8 NPT X 1/4 JIC X 1/4 JIC BRASS
1	20	112647	SENSOR, TEMP, 140-320 DEGREE
1	19	112493	SCREEN, CHECK VALVE MANIFOLD
1	18	119375	SCREEN, BYPASS MANIFOLD
1	17	110903	PLUG, 3/8 NPT BRASS
1	16	112852	PLUG, 1/8 NPT SOCKET HD BRASS
3	15	112848	PLUG, 1/4 NPT BRASS
1	14	109570	ORING, .676 ID .816 OD
1	13	118463	ORFICE, BYPASS MANIFOLD, .024 RED
1	12	111229	NIPPLE, 1/2"PIPE X 2-1/2" 316SS
1	11	108790	NIP, 1/4 HEX BRASS
1	10	118163	MANIFOLD, BYPASS
1	9	108193	MANIFOLD BLOCK
1	8	104989	ELL, 1/4 P X 1/4 T BRASS
1	7	104987	ELL, 1/2 NPT X 1/2 JIC 45 DEG BRASS
2	6	104192	ELL, 1-8 P X 1/4 T BRASS
1	5	104191	ELL, 1-8 P X 1/4 T 45 DEGREE BRASS
1	4	116078	DSC, 1/4F X 1/4FP BR
1	3	109188	CAP, CHECK VALVE
1	2	103279	BUSHING, 1/2 NPT X 1/8 FNPT BRASS
1	1	102878	ASSY, CHECK VALVE
QTY	ITEM	PART NO.	DESCRIPTION

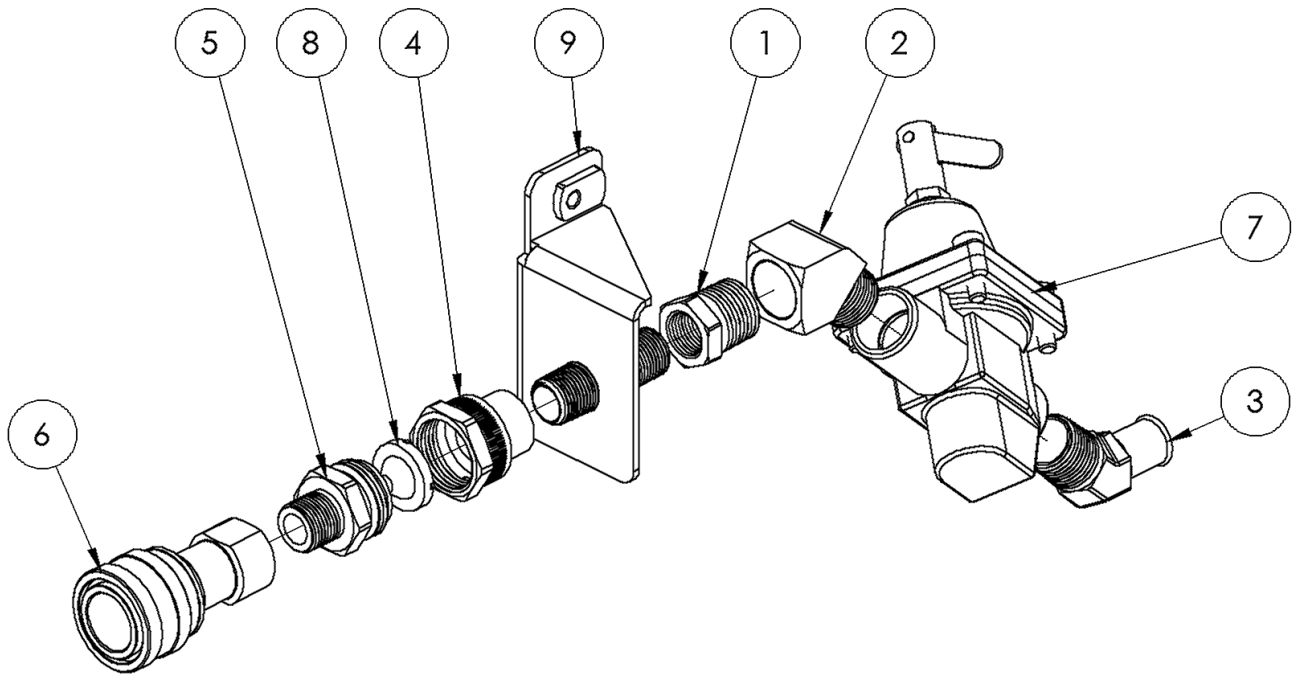
**SECTION FIVE: SPARE PARTS AND REFERENCE DOCUMENTS**  
**100703 PRESSURE REGULATOR & BYPASS VALVE ASSEMBLY**



**APPLY PIPE SEALANT TO ALL PIPE THREADS BEFORE ASSEMBLY**

1	11	102433	WMT, BRACKET REGULATOR MTG
1	10	127618	VALVE, METERING 1/8 FNPT 90 DEG SS MODIFIED
1	9	111843	REGULATOR, 1/4 NPT SUTTNER
1	8	104732	FITTING BRASS 1/4 NPT X 1/2 H BARB
1	7	104073	ELL, 1/8 PX 1/4 POLY BR
1	6	103959	ELL, 1/8 FNPT X 1/8 FNPT BRASS
1	3	116267	ELL, 1/4FP X 45 DEG BRASS
1	4	104254	CUP, OILFILL, 1/8 NPT
1	3	103065	COUPLING, 1/8 FNPT X 1/8 MNPT BRASS
2	2	103760	CONN, 1/8 P X 1/4 T BR
1	1	100101	ADAPTER, 1/4 MNPT X 1/2 MJIC BRASS
<b>QTY</b>	<b>ITEM</b>	<b>PART NO.</b>	<b>DESCRIPTION</b>

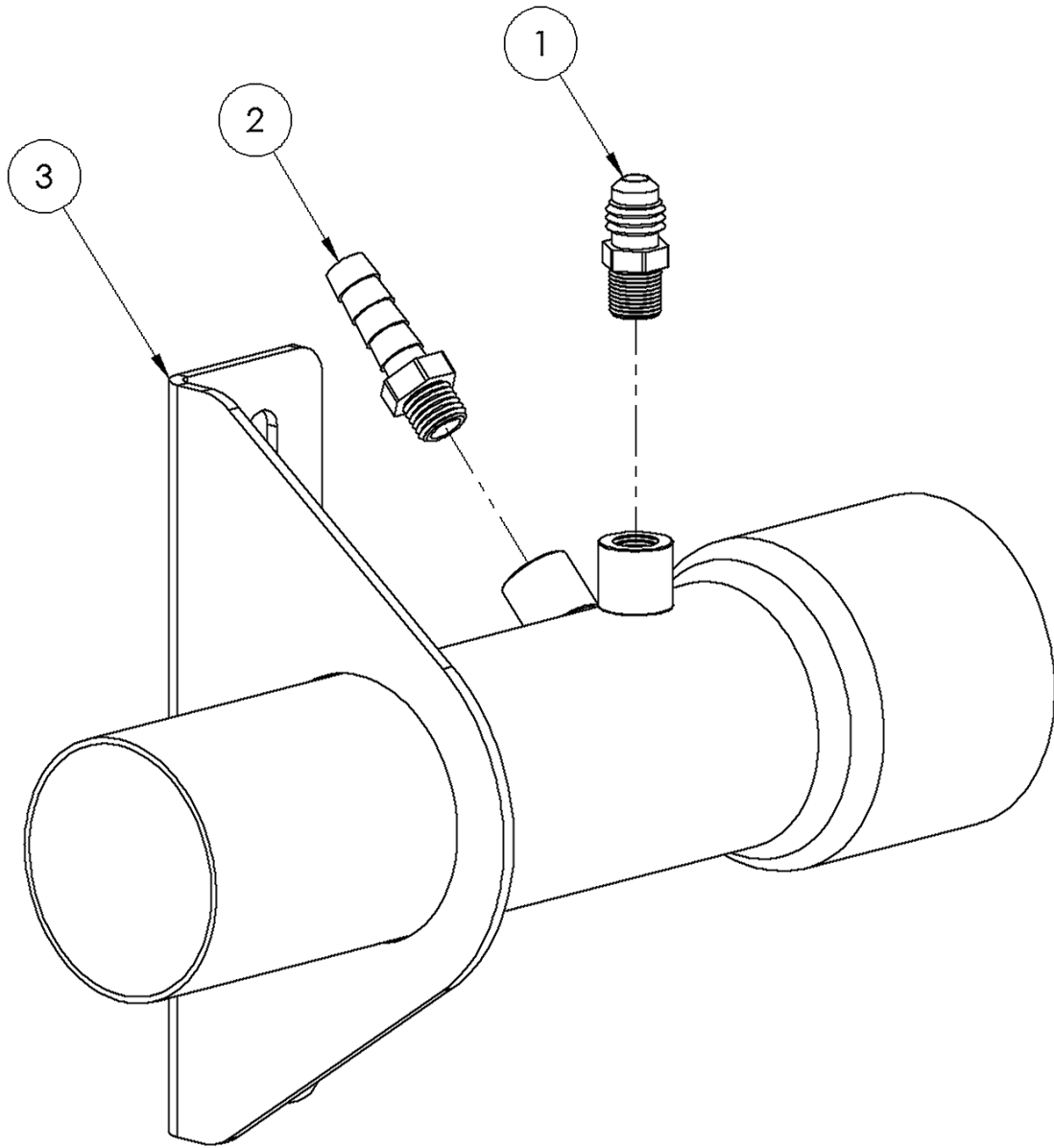
**SECTION FIVE: SPARE PARTS AND REFERENCE DOCUMENTS**  
**101004 WATER INLET BRACKET ASSEMBLY**



APPLY PIPE SEALANT TO ALL PIPE THREADS BEFORE ASSEMBLY

1	9	115313	WELDMENT, BRACKET QD MTG
1	8	112494	SCREEN, GRDN HOSE
1	7	119211	REGULATOR, 10-25 PSI 1/2 NPT
1	6	103866	QUICK COUPLING, 3/8 F X 3/8 FNPT BRASS
1	5	105284	FTTG, 3/8 NPT X M GRDN HOSE
1	4	106617	FTTG, 3/8 FNPT X F GRDN HOSE
1	3	105075	ELL, 1/2 NPT X 45 D BARB 5/8 BRASS
1	2	104079	ELL, STREET 1/2 IN 45 DEG BRAS
1	1	102098	BUSHING, 1/2 NPT X 3/8 NPT HEX BRASS
QTY	ITEM	PART NO.	DESCRIPTION

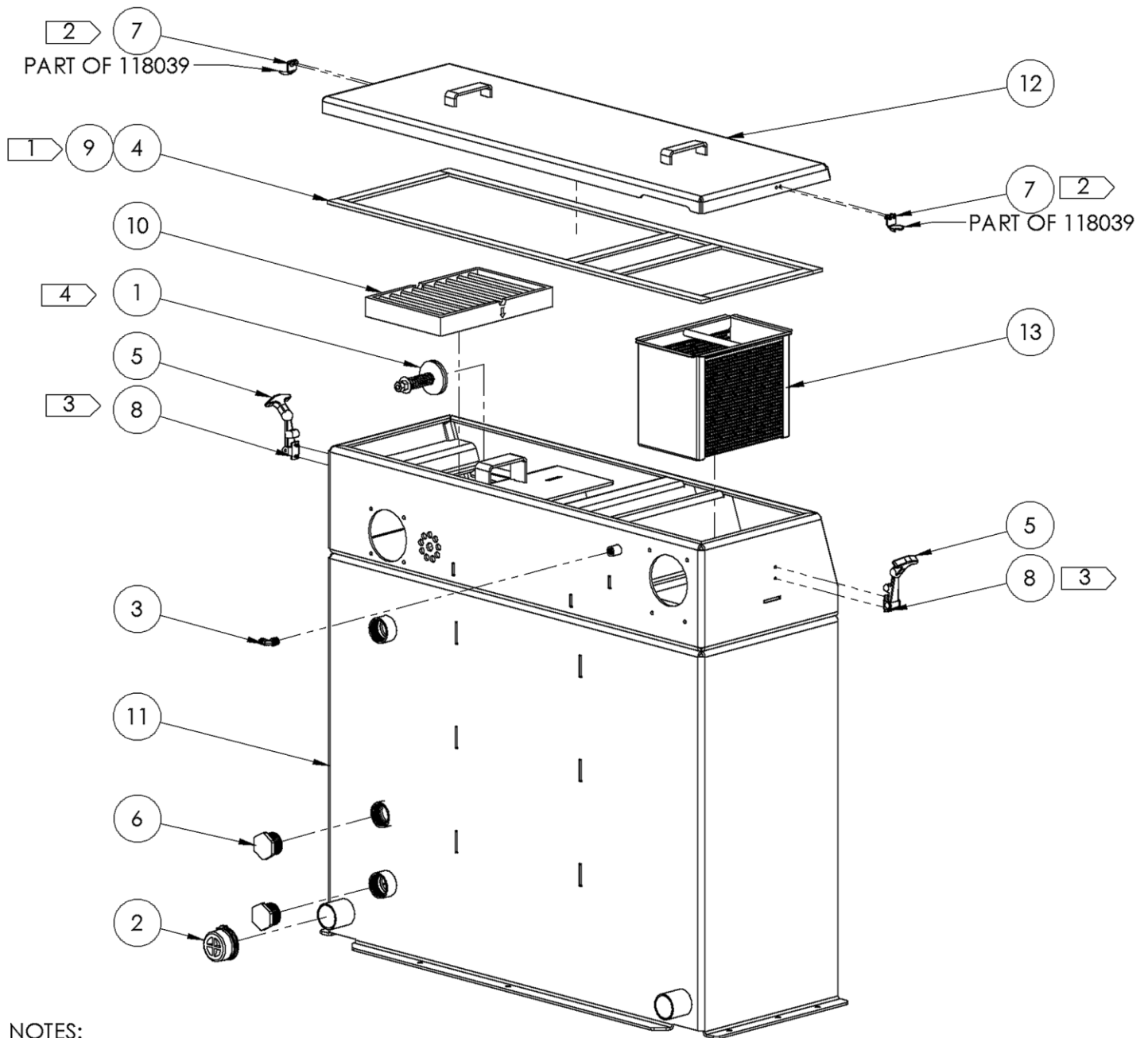
SECTION FIVE: SPARE PARTS AND REFERENCE DOCUMENTS  
**100371 VACUUM INLET BRACKET ASSEMBLY**



1	3	114941	WELDMENT, 2 IN VACUUM BRKT
1	2	105363	FTTG-BRB 1/8 PX 5/16 H BR
1	1	103760	CONN- 1/8 P X 1/4 T BR
QTY	ITEM	PART NO.	DESCRIPTION



SECTION FIVE: SPARE PARTS AND REFERENCE DOCUMENTS  
**128173 90 GALLON WASTE TANK ASSEMBLY**



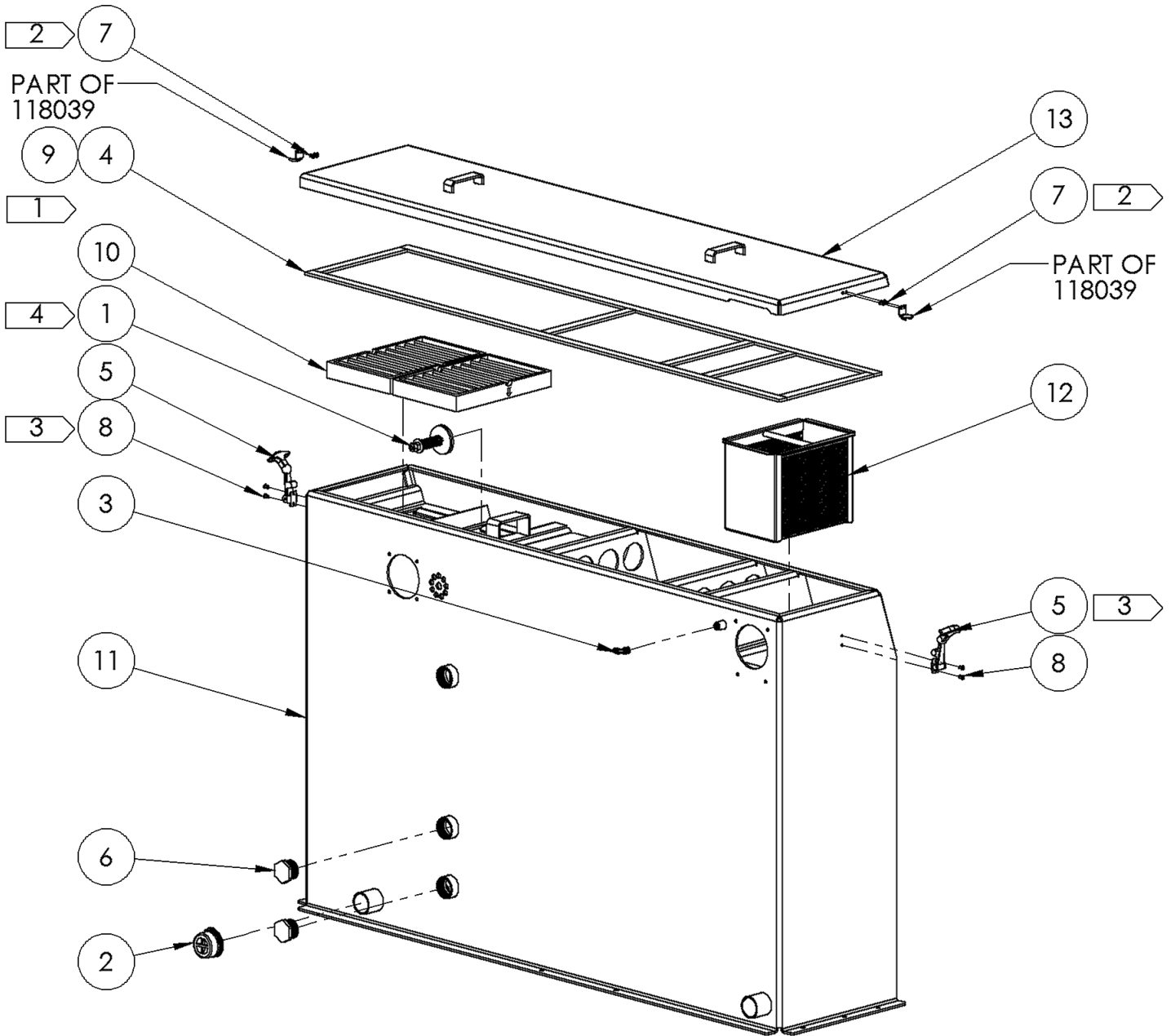
NOTES:

1. APPLY 3M POLYURETHANE SEALANT 540 (100080) TO GASKET (122932) AND INSTALL TO BOTTOM OF LID
2. INSTALL RIVETS FROM INSIDE OF LID, HEAD OF RIVET WILL BE INSIDE LID FLANGE
3. INSTALL RIVETS FROM OUTSIDE OF TANK, HEAD OF RIVET WILL BE AGAINST LATCH
4. VACUUM RELIEF PARTS SHOWN ARE SHIPPED DISASSEMBLED INSIDE OF TANK AND INSTALLED & ADJUSTED AT INSTALLATION

**SECTION FIVE: SPARE PARTS AND REFERENCE DOCUMENTS**  
**128173 90 GALLON WASTE TANK ASSEMBLY BOM TABLE**

1	13	101458	WMT, STRAINER BASKET
1	12	128198	WMT, 2PC WASTE TANK LID 90 GAL
1	11	127976	WMT, 2PC WASTE TANK 90 GAL
1	10	113471	STRAINER, WASTE TANK RECT
.34	9	100080F	SEALANT, 3M POLYURETHANE 540
4	8	126829	RIVET, SS 3/16 X 1/2 SHORT
4	7	119275F	RIVET, SS 3/16 LONG
2	6	110948	PLUG, 1-1/4 IN PVC
2	5	118039	LATCH, PRE-FILTER BOX
124 IN	4	122932	GASKET, SPONGE 1 IN X 45 FT
1	3	104989	ELL, 1/4 P X 1/4 T BRASS
1	2	102484	CAP, 1.5 IN (2.0 ID) RUBBER
1	1	128226	ASSY, WASTE TANK VAC RELIEF
QTY	ITEM	PART NO.	DESCRIPTION

SECTION FIVE: SPARE PARTS AND REFERENCE DOCUMENTS  
**100860 120 GALLON WASTE TANK ASSEMBLY**



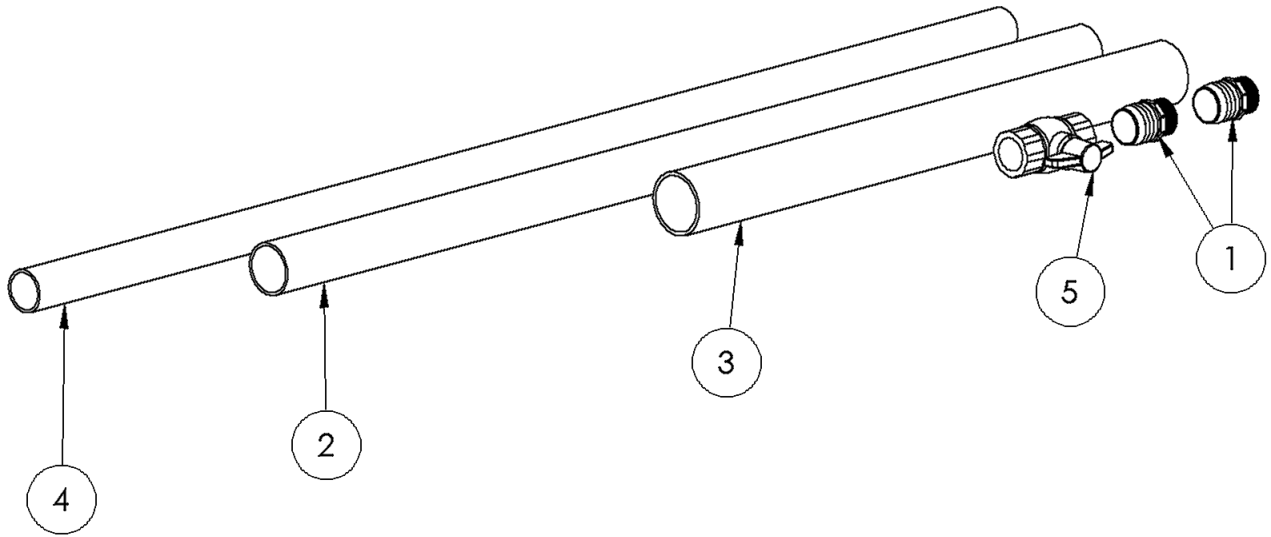
NOTES:

- 1. APPLY 3M POLYURETHANE SEALANT 540 (100080) TO GASKET (122932) AND INSTALL TO BOTTOM OF LID
- 2. INSTALL RIVETS FROM INSIDE OF LID, HEAD OF RIVET WILL BE INSIDE LID FLANGE
- 3. INSTALL RIVETS FROM OUTSIDE OF TANK, HEAD OF REVIT WILL BE AGAINST LATCH
- 4. VACUUM RELIEF KIT PARTS ARE SHIPPED DISASSEMBLED INSIDE OF TANK AND INSTALLED AND ADJUSTED AT INSTALLATION

**SECTION FIVE: SPARE PARTS AND REFERENCE DOCUMENTS**  
**100860 120 GALLON WASTE TANK ASSEMBLY BOM TABLE**

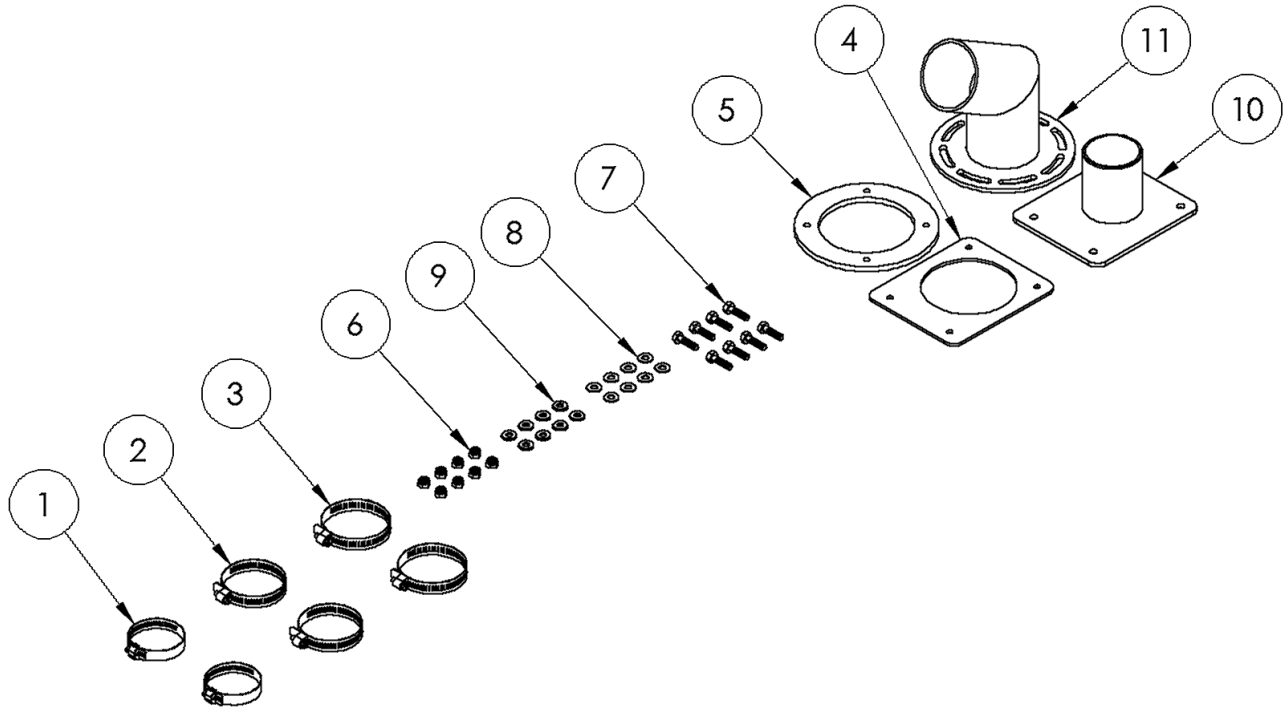
1	13	120294	WMT, WASTE TANK LID 120 GAL
1	12	101458	WMT, STRAINER BASKET
1	11	116901	WELDMENT, WASTE TANK 120 GAL
-	11	127592	WELDMENT, WASTE TANK 120 GAL
2	10	113471	STRAINER, WASTE TANK RECT
0.5	9	100080F	SEALANT, 3M POLYURETHANE 540
4	8	126829	RIVET, SS 3/16 X 1/2 SHORT
4	7	119275F	RIVET, SS 3/16 LONG
2	6	110948	PLUG, 1-1/4 IN PVC
2	5	118039	LATCH, PRE-FILTER BOX
175 IN	4	122932	GASKET, SPONGE 1 IN X 45 FT
1	3	104989	ELL, 1/4 P X 1/4 T BRASS
1	2	102484	CAP, 1.5 IN (2.0 ID) RUBBER
1	1	128226	ASSY, WASTE TANK VAC RELIEF
QTY	ITEM	PART NO.	DESCRIPTION

**SECTION FIVE: SPARE PARTS AND REFERENCE DOCUMENTS**  
**127180 KIT WASTE TANK HOSES**



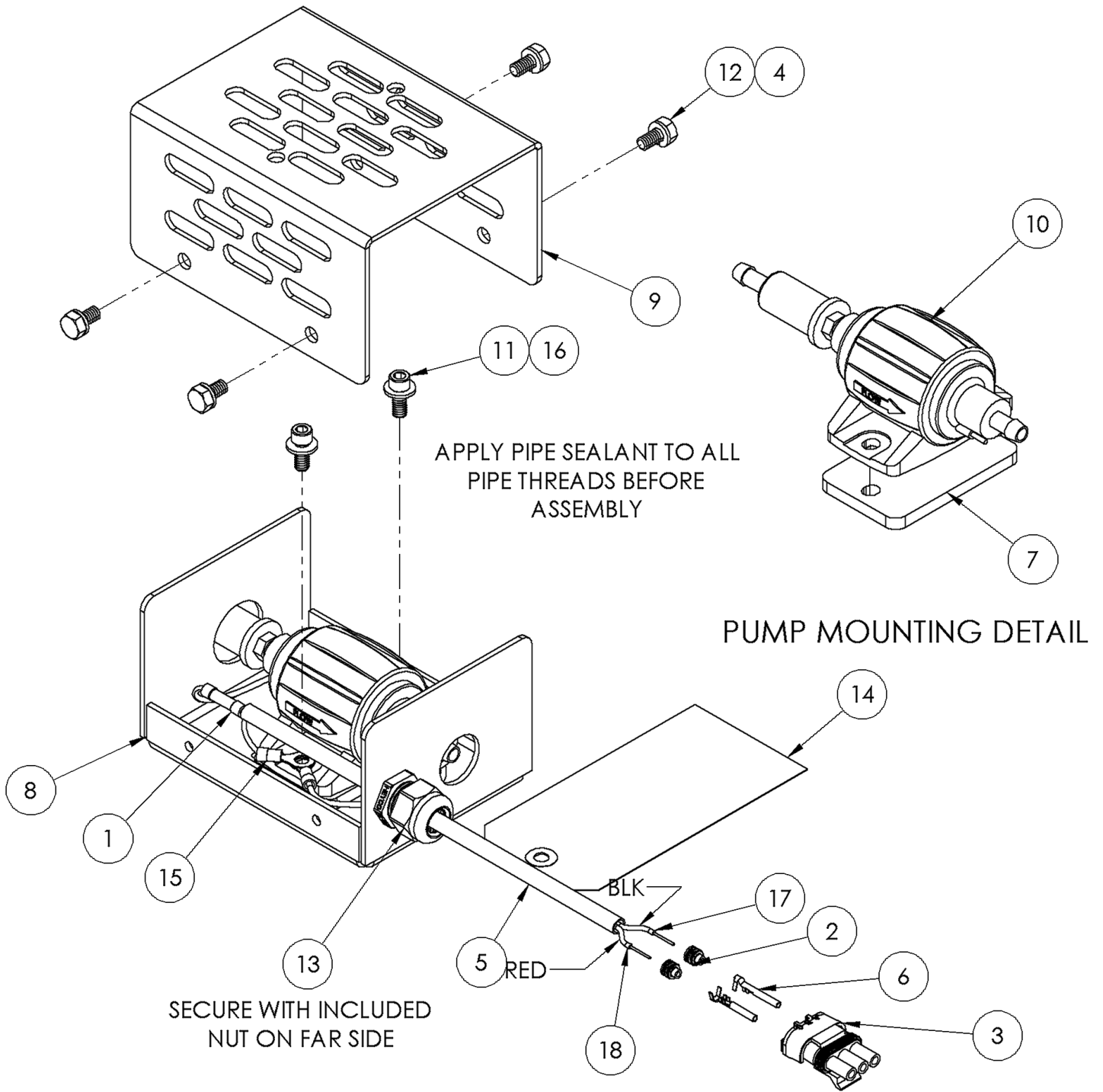
1	5	116515	VLV, BALL 1-1/2 FP PVC DUMP
1	4	106362	HOSE, INT VACUUM 2 IN X 6 FT
1	3	127191	HOSE, INT VAC 3 IN X 3 FT
1	2	107603	HOSE, INT VAC 2-1/2 X 60 IN
2	1	105077	FTTG, 1-1/2P X 2H DRAIN
QTY	ITEM	PART NO.	DESCRIPTION

**SECTION FIVE: SPARE PARTS AND REFERENCE DOCUMENTS**  
**127181 KIT WASTE TANK PORTS**



1	11	127183	WMT, 3.00 VAC OUTLET
1	10	115224	WELDMENT, 2.50 VAC INLET
8	9	126813	WASHER, SEALING 1/4 GALV
8	8	116630F	WASHER, FLAT 1/4 SS
8	7	127332	SCREW, MACH 1/4-20 X 1 HXHD SS
8	6	125495	LKNUT, 1/4-20 NYLOK SS
1	5	105558	GASKET, VAC OUTLET
1	4	105557	GASKET, VAC INLET LG
2	3	103604F	CLAMP, HOSE #48 SS
2	2	102870F	CLAMP, HOSE #40
2	1	103602F	CLAMP, HOSE # 32
QTY	ITEM	PART NO.	DESCRIPTION

SECTION FIVE: SPARE PARTS AND REFERENCE DOCUMENTS  
**104947 FUEL PUMP & HOUSING ASSEMBLY**



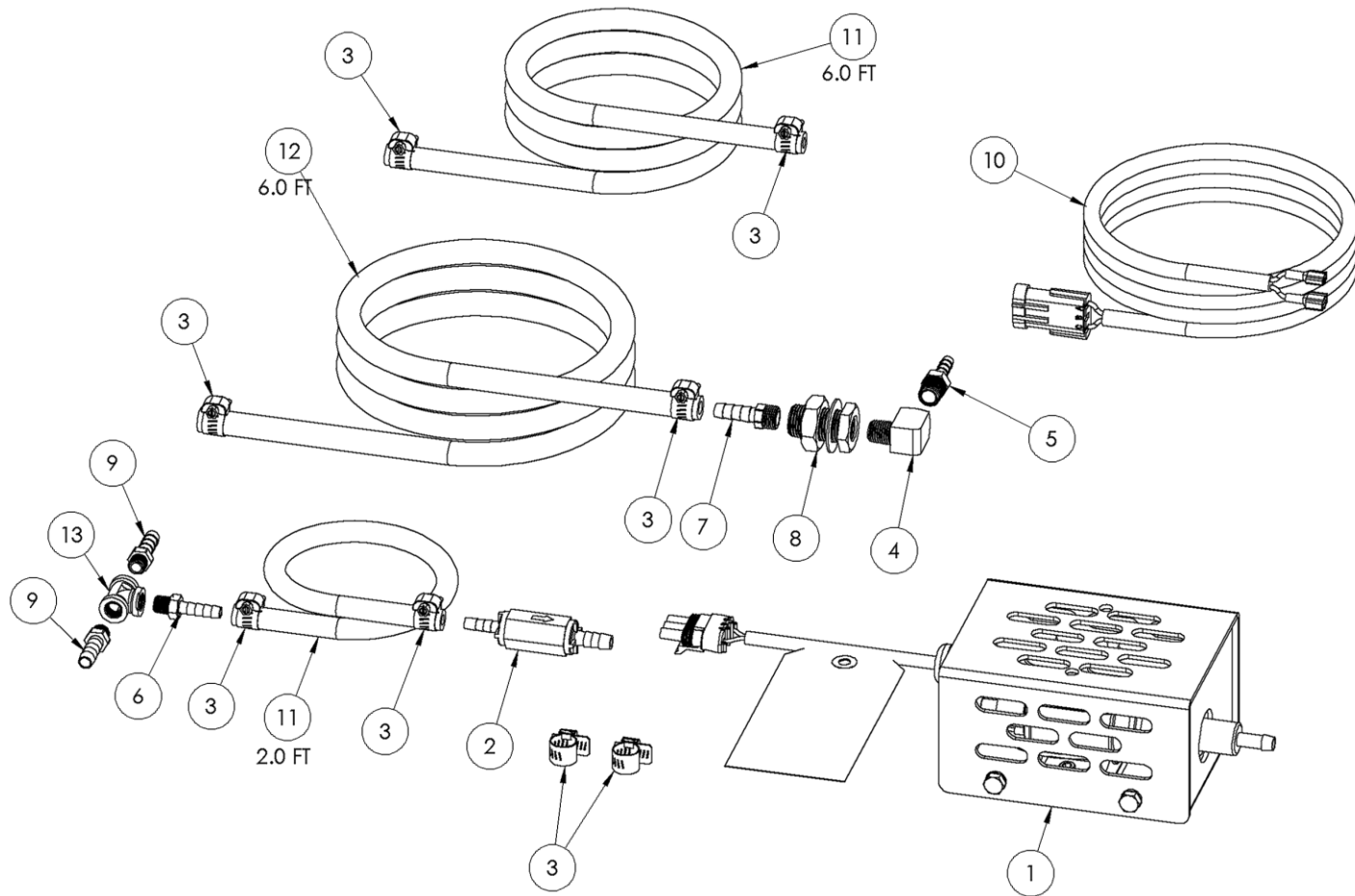
**SECTION FIVE: SPARE PARTS AND REFERENCE DOCUMENTS**  
**104947 FUEL PUMP & HOUSING ASSEMBLY BOM TABLE**

10 IN	18	115858	WIRE, 14 GA SXL RED
10 IN	17	116979	WIRE, 14 GA SXL BLK
2	16	124468	WASHER, FLAT #12 SAE
2	15	119817	TERM, RING 14-16 GA. 1/4 BLUE
1	14	126417	TAG, RED FUEL PUMP KIT
1	13	119677	STRAIN RELIEF - LIQUID TIGHT .170-..470
4	12	127330	SCREW,MACH 1/4-20 X 1/2 HXHD ZPS
2	11	124907	SCREW, 1/4-20 x 5/8 SHCS 18-8 SS
1	10	124909	PUMP, FUEL EDELBROCK
1	9	110734	PNL, BOX TOP FUEL PUMP
1	8	112990	PNL, BOX BOTTOM FUEL PUMP
1	7	124906	PLT, FUEL PUMP MTG
2	6	110061	PIN, FEMALE # 31035 WAYTEK
8 IN	5	110273	LOOM, HI HEAT .250 DIA. BLACK
4	4	124461	LKWSR, 1/4 ZINC
1	3	110782	CONN, 3 PRG 1/2 TWR #38045 WAYTEK
2	2	103767	CONN, SEAL # 39001 WAYTEK
1	1	102951	CONN, BUTT 14-16 GA
QTY	ITEM	PART NO.	DESCRIPTION



SECTION FIVE: SPARE PARTS AND REFERENCE DOCUMENTS

**128083 KIT FUEL 370 EFI**



1	13	128223	TEE, 1/8 NPT BRASS
1	12	105925	HOSE, FUEL 5/16 30R9 FUEL INJECTION
2	11	117445	HOSE, FUEL 1/4 30R9 FUEL INJECTION
1	10	105804	HARNESS,WIRE FUEL PUMP
2	9	105363	FTTG-BRB 1/8 PX 5/16 H BR
1	8	105088	FTTG, BULKHEAD 1/4 IN BRASS
1	7	106628	FTTG, BRB 1/4PX5//16H BR
1	6	128222	FTTG, BARB 1/8 NPT X 1/4 H BRASS
1	5	128283	FTTG, BARB 1/4P X 1/4H BRASS
1	4	105000	ELL,1/4 IN LG STREET BRASS
8	3	103663F	CLAMP, HOSE #4
1	2	102759	CHECK VALVE, FUEL 5/16 X 1/4 POLY
1	1	104947	ASSY,FUEL PUMP HOUSING
QTY	ITEM	PART NO.	DESCRIPTION

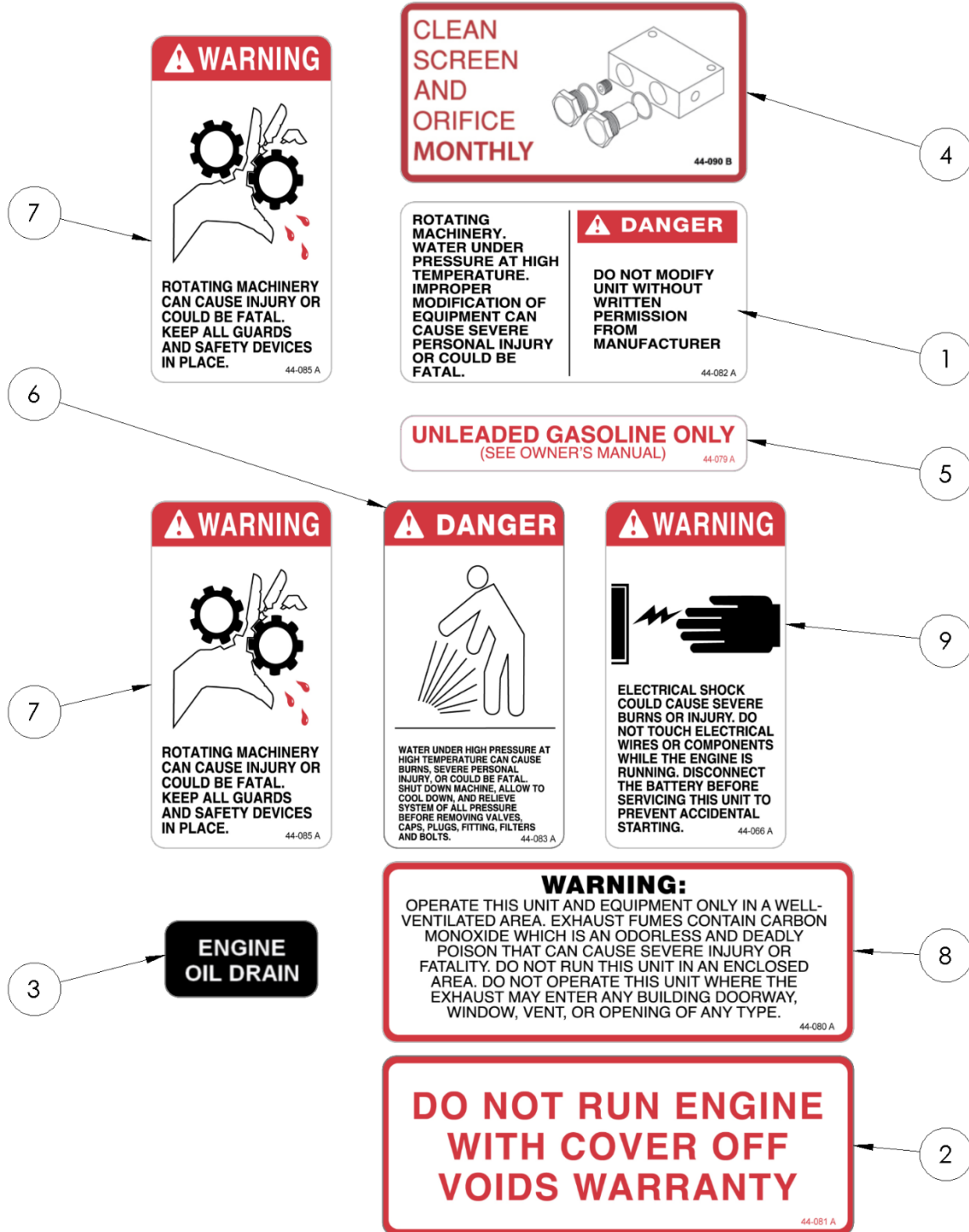


**SECTION FIVE: SPARE PARTS AND REFERENCE DOCUMENTS**  
**107271 HOSE ROUTING REFERENCE CHART**

<b>HOSE REFERENCE</b>					
<b>ID</b>	<b>PART NO.</b>	<b>HOSE LENGTH (IN)</b>	<b>SLEEVE</b>	<b>SLEEVE LENGTH (IN)</b>	<b>CLAMPS</b>
A	105828	19.5	N/A	N/A	102695 x2
B	106324	7.5	N/A	N/A	110211 X2
C	106324	19	N/A	N/A	110211 X2
D	117497	28	N/A	N/A	103663 X2
E	117497	31	N/A	N/A	103663 X2
F	117497	60	N/A	N/A	103663 X2
G	120018	30	N/A	N/A	N/A
H	120018	30	N/A	N/A	N/A
J	120018	39	N/A	N/A	N/A
K	120018	39	N/A	N/A	N/A
L	120018	58	N/A	N/A	N/A
M	124660	11	113135	9	N/A
N	124660	11	113135	9	N/A
P	107495	17	113135	14	N/A
R	107413	5	N/A	N/A	N/A
S	105732	8.5	N/A	N/A	N/A
T	105732	8.5	N/A	N/A	N/A
U	105695	13.5	N/A	N/A	N/A
V	105973	15.5	N/A	N/A	N/A
W	107410	12.5	N/A	N/A	N/A
X	105973	15.5	N/A	N/A	N/A
Y	105974	20	N/A	N/A	N/A
Z	117393	38	N/A	N/A	N/A
AA	128353	14	N/A	N/A	N/A
AB	107614	36	N/A	N/A	N/A

SECTION FIVE: SPARE PARTS AND REFERENCE DOCUMENTS  
108614 KIT CONSOLE DECALS

The following warning labels are on your mobile cleaning unit. These labels point out important **WARNINGS** and **CAUTIONS**, which must be followed at **ALL** times. Failure to follow these warnings could result in injury or fatality to yourself and/or others or property damage. Please follow these instructions carefully! **DO NOT remove these decals and replace them when you see they are missing or damaged/unreadable.**

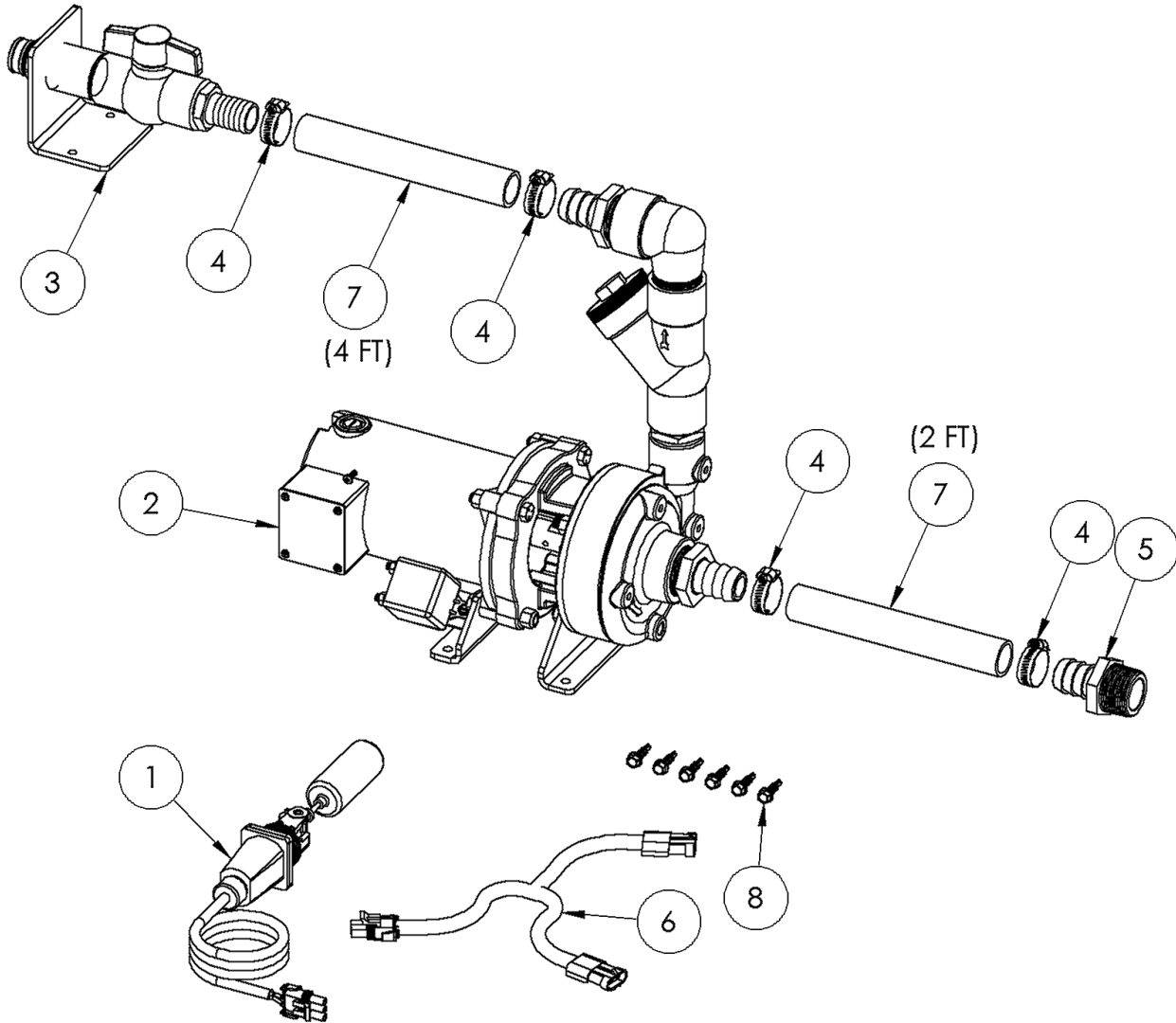


**SECTION FIVE: SPARE PARTS AND REFERENCE DOCUMENTS**  
**108614 KIT CONSOLE DECALS BOM TABLE**

1	9	104334	DECAL, WARNING ELECTRICAL SHOCK
1	8	114169	DECAL, WARNING, USE IN WELL VENTILATED AREA
2	7	104269	DECAL, WARNING ROTATING MACHINERY
1	6	103662	DECAL, WARNING HIGH PRESSURE
1	5	114165	DECAL, UNLEADED FUEL ONLY
1	4	104317	DECAL, MANIFOLD MAINTENANCE
1	3	103415	DECAL, ENGINE OIL DRAIN
1	2	103645	DECAL, ENGINE COVER WARRANTY
1	1	103644	DECAL, DANGER ROTATING MACHINERY
QTY	ITEM	PART NO.	DESCRIPTION

SECTION FIVE: SPARE PARTS AND REFERENCE DOCUMENTS

**OPTIONAL ACCESSORY  
124982 KIT WASTE PUMP-OUT**



**MUST HAVE GROUP 24 BATTERY INSTALLED TO USE PUMP**

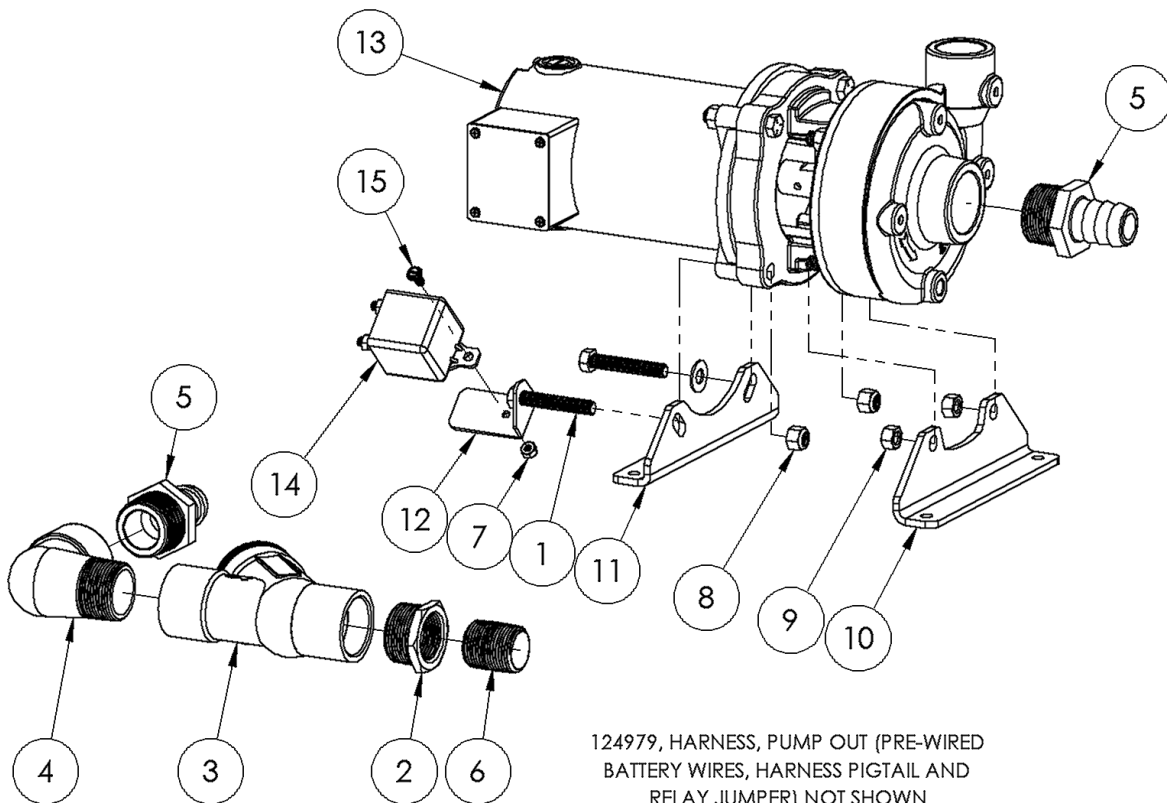
6	8	124985	SCREW, 1/4-14 X 1 HWH TEKS 3
6 FT	7	106035	HOSE, WTR 1 IN HRZ 100 FT BULK
1	6	107155	HARNES, WASTE PUMP OUT
1	5	125861	FITG, BARB 1-1/4 P X 1 H PVC
4	4	102857F	CLAMP, HOSE # 20
1	3	124883	ASSY, VALVE BRACKET
1	2	124889	ASSY, PUMP OUT
1	1	105753	ASSY, LEVEL SENSOR SHUTOFF WASTE
QTY	ITEM	PART NO.	DESCRIPTION

WASTE PUMP INSTALLATION DOCUMENT: PART NUMBER 125097

SECTION FIVE: SPARE PARTS AND REFERENCE DOCUMENTS

OPTIONAL ACCESSORY (PART OF 124982)

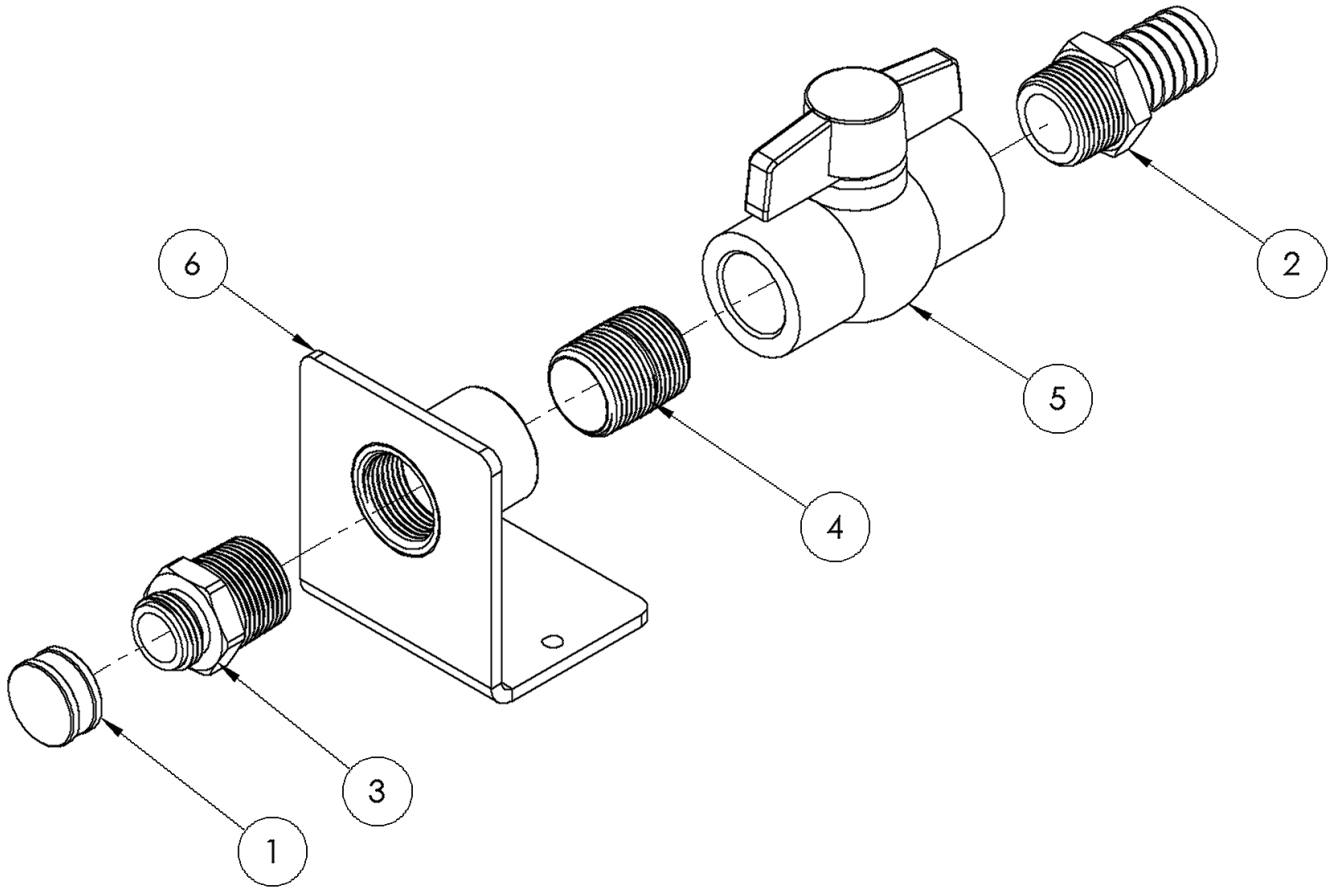
124889 WASTE PUMP OUT ASSEMBLY



APPLY PIPE SEALANT TO ALL PIPE THREADS BEFORE ASSEMBLY

1	16	125498	WASHER, FLAT 3/8 X 7/8 OD SS
1	15	123600	SCREW, MACH 10-32 X 1/2 HSWH ZP
1	14	124981	RELAY, 12V 200A
1	13	124894	PUMP, 12V DC CENTRIFUGAL
1	12	124980	PNL, RELAY BRACKET
1	11	125980	PNL, PUMP MOUNT REAR SUPPORT
1	10	125979	PNL, PUMP MOUNT FRONT SUPPORT
6	9	125067	NUT, 3/8-16 ZP
2	8	109391F	NUT, 3/8-16 NYLOK SS
1	7	109662F	NUT, 10-32 NYLOK SS
1	6	125458	NIPPLE, 1.0 NPT CLOSE BRASS
2	5	125861	FITG, BARB 1-1/4 P X 1 H PVC
1	4	125862	ELL, STREET 1-1/4 NPT POLY
1	3	125677	CHECK VALVE, BALL 1-1/4 NPT PVC
1	2	125457	BUSHING, 1.25 NPT X 1 FNPT BRASS
2	1	125850	BOLT, TAP 3/8-16 X 2-1/4 HXHD SS
QTY	ITEM	PART NO.	DESCRIPTION

SECTION FIVE: SPARE PARTS AND REFERENCE DOCUMENTS  
**OPTIONAL ACCESSORY (PART OF 124982)**  
**124883 WASTE OUTLET VALVE & BRACKET ASSEMBLY W-BOM TABLE**



APPLY PIPE SEALANT TO ALL PIPE THREADS BEFORE ASSEMBLY

1	6	124884	WMT, VALVE BRACKET
1	5	124888	VALVE, BALL 1.0 FNPT PVC
1	4	125458	NIPPLE, 1.0 NPT CLOSE BRASS
1	3	124987	FTTG, 1 NPT X M GRDN HOSE
1	2	121755	FTTG, BARB 1 P X 1 H BRASS
1	1	102527	CAP, GARDEN HOSE 3/4 BRASS
QTY	ITEM	PART NO.	DESCRIPTION



## SECTION FIVE: SPARE PARTS AND REFERENCE DOCUMENTS

# 128145 WIRING DIAGRAM

